

Compact 2-channel LED fluorescent light source

luxyr® LED MAGNA

Broadband high-power LED light source as equivalent to halogen and short-arc cold light sources



Front view luxyr LED MAGNA (2-channel)

The luxyr LED MAGNA is a high-performance 2-channel LED UV / VIS light source that supports both simultaneous and separate light output in these two wavelength ranges.

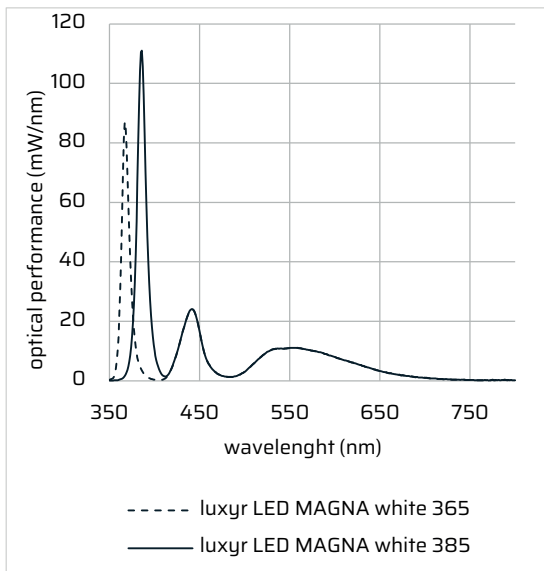
The LED technology used makes the light source an excellent alternative to classic halogen and short-arc cold light sources, as a very high light intensity is emitted, without generating any undesirable heat.

PRODUCT HIGHLIGHTS

- Powerful UV / VIS LED light source
- Silent and vibration-free operation
- Direct microscope coupling
- Pulsed operation up to 100 kHz with TTL trigger possible
- Different LED types / spectra possible

AREAS OF APPLICATION

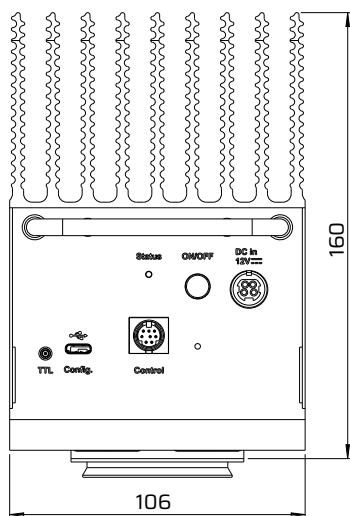
- Fluorescence microscopy
- Bright-field microscopy
- Dark-field microscopy
- Forensics
- Multispectral imaging



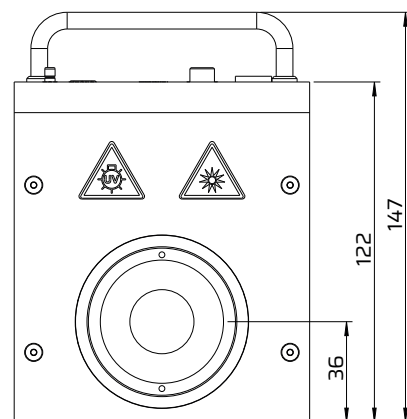
Spectrum emitted by luxyr LED MAGNA (configuration UV- / VIS)

*The 2 channels are operated with 2 different LED types (e.g. UV & VIS). Other LED types on request.

Output parameters	
Description	Output power see diagram page 1, adjustable, gamma-corrected brightness control
Steady-Mode	
Description	Continuous operation with adjustable luminous flux, separate setpoints for both channels
Follow-Mode	
Description	Level-controlled operation (TTL) with pre-configured luminous flux
Rise time ₁₁₀₋₉₀	< 2 µs
Fall time ₁₁₀₋₉₀	< 2 µs
Signal runtime	< 1 µs
Pulse-Mode	
Description	Edge-controlled pulses (delay, pulse length and luminous flux preconfigurable) Channels can only be pulsed simultaneously
Rise time ₁₁₀₋₉₀	< 2 µs
Fall time ₁₁₀₋₉₀	< 2 µs
Interfaces	
Control	Mini-DIN for control via control panel
Config	Micro USB for configuration, operation & status messages
TTL	SMB socket for follow mode and pulse mode
DC _{in}	4-pole power DIN
Optical output	Collimation optics with microscope adapter (for Zeiss, Leica, Nikon, Olympus, customised)
Specification	
Mains voltage for power supply unit	100 to 240 VAC ± 10 %, 50 to 60 Hz, maximum power 85 W
Dimensions of the light source	ca. 160 mm x 105 mm x 150 mm (L/H/W)
Weight	approx. 2 kg



Top view luxyr LED MAGNA | Dimensions in mm



Front view luxyr LED MAGNA | Dimensions in mm