

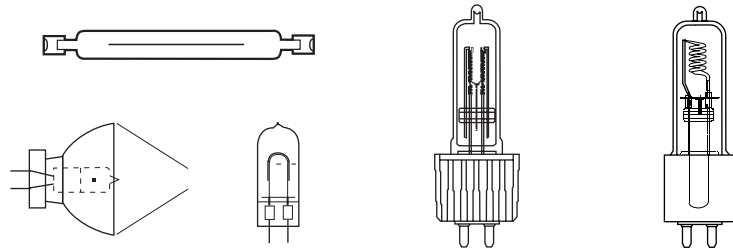
OSRAM BRAND PHOTO-OPTIC LIGHT SOURCES

Lighting to provide solutions in diverse applications such as effect lighting, stage, studio, TV, projection systems, microlithography, medical/scientific, industrial, and airfield/aircraft.

Photo-Optic Lamp Types

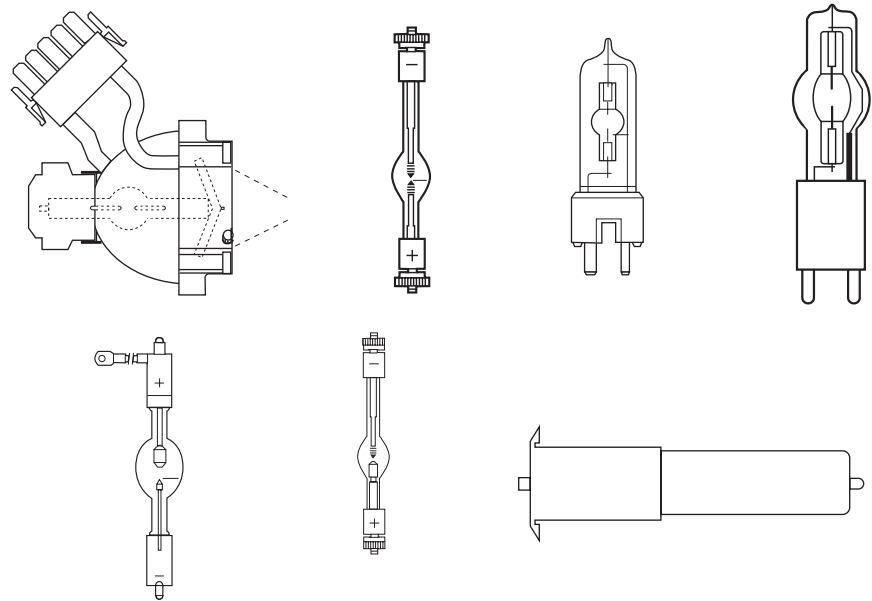
HALOGEN

Airfield/Aircraft
Audio Visual
Special Purpose Heat Lamps
Studio, Theatre, TV & Video
HPL
HPR™
OSRAM STUDIOLINE®



DISCHARGE

HBO®
HMD®
HMI®
HMP®
HSD®
HSR®
HTI®
LINEX®
VIP®
XBO®
XERADEX®



The following item was accepted into the 2003 IESNA Progress Report which recognizes innovative products introduced to the industry during that year.

LINEX Mercury-Free Xenon Fluorescent Systems

IMPORTANT! PHOTO-OPTIC WARNINGS

In accordance with ANSI/IESNA Standard RP-27, all Photo-Optic Discharge lamps are Risk Group 3 products, and all Photo-Optic Incandescent and Tungsten Halogen lamps are Risk Group 2 products.

Please read and understand the Safety and Warning Instructions for each lamp type before use. Safety and Warning Instructions can be found at the end of this Photo-Optic section.

STUDIO, THEATRE, TV & VIDEO

ANSI Code	Product Number	Ordering Abbreviation	Application	Watts	Volts	Base	Lumens	Avg Rated Life(hrs)	Bulb	Pkg Qty	Footnotes
GKV	54511	GKV	Stage & Studio	600	230	G9.5	14000	300	T6	25	5
GLA	54516	GLA 575/115/2000	Stage & Studio	575	115	G9.5	10500	2000	T6	12	17
GLC	54507	GLC 575/115/300	Stage & Studio	575	115	G9.5	15500	300	T6	12	17,18
GLF	54460	GLF	Stage & Studio	235	230	G5.3	5100	100	T4	24	
	20607	STUDIOLINE 55W/3200	Compact Fluorecent /Studio-TV	55		2G11	3800	8000	T5	10	
	20608	STUDIOLINE 55W/5600	Compact Fluorecent /Studio-TV	55		2G11	3800	8000	T5	10	
	54001	64501	Stage & Studio	150	120	GX6.35	4500	25	T4	25	
	54232	64614	Projector, Video, Studio	75	12	G5.3-4.8		25	T2.5	20	
	54499	4515 PAR36 30W	Stage & Studio	30	6	Screw Term	67000	100	PAR36	12	
	54549	HPR 575/115	Stage & Studio	575	115	G9.5	18000	300	T5	12	16
	54602	HPL750/115 (UCF)	Stage & Studio	750	115		21900	300	T6	12	19
	54603	HPL750/230 (UCF)	Stage & Studio	750	230	Special	19750	300	T6	12	19
	54604	HPL550/77/X (UCF)	Stage & Studio	550	77		12160	2000	T6	12	19
	54605	HPL750/120 (UCF)	Stage & Studio	750	120	Special	21900	300	T6	12	19
	54611	HPL750/115/X (UCF)	Stage & Studio	750	115		16400	1500	T6	12	19
	54614	HPL750/240 (UCF)	Stage & Studio	750	240	Special	19750	300	T6	12	19
	54618	HPL575/230 (UCF)	Stage & Studio	575	230	Special	14900	400	T6	12	19
	54619	HPL575/240 (UCF)	Stage & Studio	575	240	Special	14900	400	T6	12	19
	54622	HPL575/115 (UCF)	Stage & Studio	575	115		16520	300	T6	12	19
	54623	HPL550/77 (UCF)	Stage & Studio	550	77		16170	300	T6	12	19
	54625	HPL375/115 (UCF)	Stage & Studio	375	115		10540	300	T6	12	19
	54649	HPL375/115/X (UCF)	Stage & Studio	375	115		8000	1000	T8	12	19
	54653	HPL750/120/X (UCF)	Stage & Studio	750	120	Special	16400	1500	T6	12	19
	54807	HPL575/115/X (UCF)	Stage & Studio	575	115		12360	2000	T6	12	19
	54813	HPL550/64 (UCF)	Stage & Studio	550	64	Special	16340	300	T6	12	19
	54815	HPL575/120/X (UCF)	Stage & Studio	575	120	Special	12360	2000	T6	12	19
	54817	HPL575/120 (UCF)	Stage & Studio	575	120	Special	16460	300	T6	12	19
	54822	HPL575/100 (UCF)	Stage & Studio	575	100	Special	16730	300	T6	12	19
	54825	HPL750/77 (UCF)	Stage & Studio	750	77		22950	300	T6	12	19
	58636	64515	Stage & Studio	300	230	GX6.35	8500	15	T5	25	12
	58639	64573	Stage & Studio	1000	120	GX6.35	33000	15	T8	25	
	58640	64575	Stage & Studio	1000	230	GX6.35	33000	15	T8	25	12

LARGE PAR

ANSI Code	Product Number	Ordering Abbreviation	Application	Watts	Volts	Base	Lumens	Avg Rated Life(hrs)	Bulb	Pkg Qty	Footnotes
EXC/230	56280	EXC/230	Stage & Studio	1000	230	Ext Mog End Pr		300	PAR64	6	20,21
EXC/240	56232	EXC/240	Stage & Studio	1000	240	Ext Mog End Pr		300	PAR64	6	20,21
EXD/230	56281	EXD/230	Stage & Studio	1000	230	Ext Mog End Pr		300	PAR64	6	20
EXD/240	56233	EXD/240	Stage & Studio	1000	240	Ext Mog End Pr		300	PAR64	6	20
EXE/230	56283	EXE/230	Stage & Studio	1000	230	Ext Mog End Pr		300	PAR64	6	20