



HF-Performer III for TL5 lamps

HF-P 180 TL5 III 220-240V 50/60Hz

HF-Performer III TL5 ballasts offer maximum versatility and meet all of the necessary commercial grade specifications. They also offer the added benefits of lamp striation reduction technology, making these ballasts compatible with energy-saving TL5 ECO lamps. As such, these ballasts are part of an overall high-efficiency lighting system that may help you or your customers to achieve any international or local energy code you need to comply with. HF-Performer III TL5 ballasts are the ideal choice for a broad range of new construction and retrofit applications within the commercial sector, including general surface mounting or office lighting, parking garages, warehouses, waterproof and other applications. The ballast is primarily designed for Indoor application. For outdoor application, the luminaire should be minimum Classland need to be sufficiently protected against water & dust. The installation should also be guard against any lightening surge or any other necessary electrical protection as deemed in such typical installation & application.

Product data

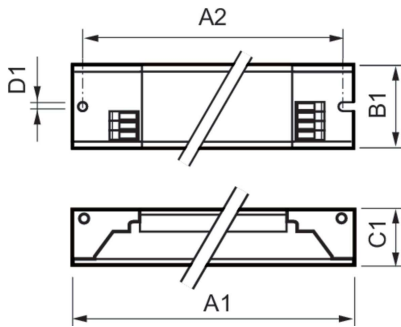
| Operating and Electrical | | Wiring | |
|--|--------------|---------------------------------|---|
| Input Voltage | 220 to 240 V | Connector Type Input Terminals | WAGO 251 universal connector [Suitable for both automatic wiring (ALF and ADS) and manual wiring] |
| Line Frequency | 50 to 60 Hz | Connector Type Output Terminals | WAGO 251 universal connector [Suitable for both automatic wiring (ALF and ADS) and manual wiring] |
| Input Frequency | 50 to 60 Hz | | |
| Inrush Current Width | 0.30 ms | | |
| Power Factor (Fraction) | 0.99 | | |
| Inrush Current Peak (Max) | 24 A | | |
| Number of Products on MCB (16A Type B) (Nom) | 20 | | |
| | | Temperature | |
| | | Ambient temperature range | -25 °C to 60 °C |
| | | T-Case Lifetime (Nom) | 80 °C |

HF-Performer III for TL5 lamps

| | |
|---------------------------------|---|
| T-Case Maximum (Max) | 80 °C |
| Mechanical and Housing | |
| Housing | L 360x30x21 |
| Approval and Application | |
| Ingress protection code | IP20 [Finger-protected] |
| Energy Efficiency Index | A2 BAT |
| Safety Standard | IEC 61347-2-3 |
| Environmental Standard | ISO 14001 |
| Approval Marks | CE marking ENEC certificate VDE-EMV certificate |

| | |
|---------------------------------|-----------------------------------|
| Product Data | |
| Order product name | HF-P 180 TL5 III 220-240V 50/60Hz |
| Full product name | HF-P 180 TL5 III 220-240V 50/60Hz |
| Full product code | 872790095228500 |
| Order code | 913713034266 |
| Material Nr. (12NC) | 913713034266 |
| Numerator - Quantity Per Pack | 1 |
| EAN/UPC - Product/Case | 8727900952285 |
| Numerator - Packs per outer box | 12 |
| EAN/UPC - Case | 8727900952292 |

Dimensional drawing



| Product | D1 | C1 | A1 | A2 | B1 |
|--------------------------------------|--------|---------|----------|----------|---------|
| HF-P 180 TL5 III 220-240V 50/60Hz | 4.2 mm | 21.0 mm | 360.0 mm | 350.0 mm | 30.0 mm |

