



HF-Selectalume II for TL5 lamps

HF-S 154 TL5 II 220-240V 50/60Hz

HF-Selectalume II TL5 is the most cost-effective, reliable and outstanding solution for fluorescent lamps. These ballasts are part of an overall high-efficiency lighting system that may help you or your customers to achieve any international or local energy code you need to comply with. HF-Selectalume II TL5 ballasts are the ideal choice for a broad range of new construction and retrofit applications within the commercial sector, including general surface mounting or office lighting, parking garages, warehouses, waterproof and other applications. The ballast is primarily designed for Indoor application. For outdoor application, the luminaire should be minimum Classland need to be sufficiently protected against water & dust. The installation should also be guard against any lightening surge or any other necessary electrical protection as deemed in such typical installation & application.

Product data

Operating and Electrical	
Input Voltage	220 to 240 V
Line Frequency	50 to 60 Hz
Input Frequency	50 to 60 Hz
Earth Leakage Current (Max)	0.5 mA
Inrush Current Width	0.25 ms
Inrush Current Peak (Max)	20 A

Mechanical and Housing	
Housing	L 280x30x21

Approval and Application	
Ingress protection code	IP20 [Finger-protected]
Energy Efficiency Index	A2 BAT
Approval Marks	F-Marking CE marking ENEC certificate CCC certificate C-Tick certificate PSB certification TISI marking SIRIM approval CB Certificate CCC certificate VDE-EMV certificate

Wiring	
Connector Type Input Terminals	WAGO 744 connector
Connector Type Output Terminals	WAGO 744 connector [Suitable for manual wiring]

Temperature	
Ambient temperature range	-15 °C to 50 °C

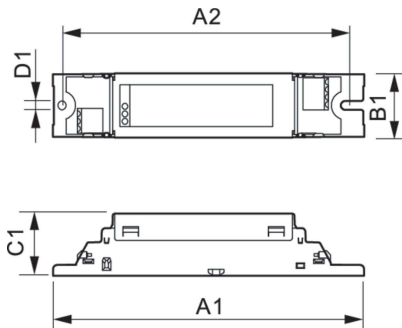
T-Case Lifetime (Nom)	
T-Case Lifetime (Nom)	75 °C
T-Case Maximum (Max)	75 °C

HF-Selectalume II for TL5 lamps

Product Data	
Order product name	HF-S 154 TL5 II 220-240V 50/60Hz
Full product name	HF-S 154 TL5 II 220-240V 50/60Hz
Full product code	872790090561800
Order code	913713033666
Material Nr. (12NC)	913713033666
Numerator - Quantity Per Pack	1

Net Weight (Piece)	0.185 kg
EAN/UPC - Product/Case	8711500999375
Numerator - Packs per outer box	12
EAN/UPC - Case	8727900905618

Dimensional drawing



Product	D1	C1	A1	A2	B1
HF-S 154 TL5 II 220-240V 50/60Hz	4.1 mm	28.0 mm	280 mm	265 mm	30.0 mm

