

PrimaVision Compact for CDM

HID-PV C 50 /I CDM 220-240V 50/60Hz

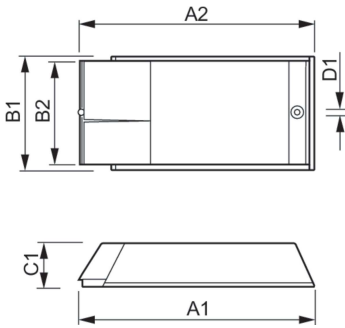
High-quality, compact and lightweight HID electronic gear for optimal and reliable performance of 20, 35, 50 and 70 W CDM lamps

Product data

Operating and Electrical		Approval and Application	
Input Voltage	220 to 240 V	Ingress protection code	IP20 [Finger-protected]
Line Frequency	50 to 60 Hz	Safety Standard	IEC 61347-2-3
Input Frequency	50 to 60 Hz	Environmental Standard	ISO 14001
Earth Leakage Current (Max)	0.25 mA	Approval Marks	CE marking ENEC certificate
Inrush Current Width	0.25 ms	Product Data	
Inrush Current Peak (Max)	26 A	Order product name	HID-PV C 50 /I CDM 220-240V 50/60Hz
Number of Products on MCB (16A Type B) (Nom)	24	Full product name	HID-PV C 50 /I CDM 220-240V 50/60Hz
Wiring		Full product code	872790093365900
Cable Length From Device to Lamp	2.0 m	Order code	913700665166
Connector Type	Insert	Material Nr. (12NC)	913700665166
Temperature		Numerator - Quantity Per Pack	1
Ambient temperature range	-20 °C to 50 °C	EAN/UPC - Product/Case	8727900933659
T-Case Lifetime (Nom)	75 °C	Numerator - Packs per outer box	12
T-Case Maximum (Max)	75 °C	EAN/UPC - Case	8727900933666
Mechanical and Housing			
Housing	/I		

PrimaVision Compact for CDM

Dimensional drawing



Product	D1	C1	A1	A2	B1
HID-PV C 50 /I CDM 220-240V 50/60Hz	4.8 mm	34.5 mm	188.0 mm	170.0 mm	82.7 mm

