

PrimaVision Compact for CDM

HID-PV C 70 /I CDM 220-240V 50/60Hz NG

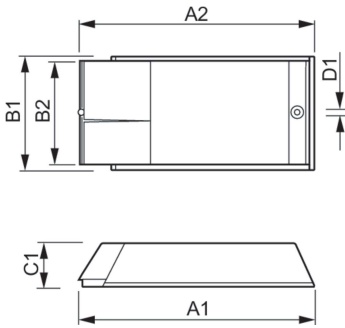
High-quality, compact and lightweight HID electronic gear for optimal and reliable performance of 20, 35, 50 and 70 W CDM lamps

Product data

Operating and Electrical		Approval and Application	
Input Voltage	220 to 240 V	Safety Standard	EN 61347-2-12
Line Frequency	50 to 60 Hz	Environmental Standard	ISO 14001
Input Frequency	50 to 60 Hz	Approval Marks	CE marking ENEC certificate
Earth Leakage Current (Max)	0.25 mA	Product Data	
Inrush Current Width	0.33 ms	Order product name	HID-PV C 70 /I CDM 220-240V 50/60Hz NG
Inrush Current Peak (Max)	33 A	Full product name	HID-PV C 70 /I CDM 220-240V 50/60Hz NG
Number of Products on MCB (16A Type B) (Nom)	20	Full product code	872790085988100
Wiring		Order code	913700653266
Cable Length From Device to Lamp	2.0 m	Material Nr. (12NC)	913700653266
Connector Type	Insert	Numerator - Quantity Per Pack	1
Temperature		EAN/UPC - Product/Case	8711500881717
Ambient temperature range	-20 °C to 45 °C	Numerator - Packs per outer box	12
T-Case Lifetime (Nom)	75 °C	EAN/UPC - Case	8727900859881
T-Case Maximum (Max)	75 °C		
Mechanical and Housing			
Housing	/I		

PrimaVision Compact for CDM

Dimensional drawing



Product	D1	C1	A1	A2	B1
HID-PV C 70 /I CDM 220-240V 50/60Hz NG	4.8 mm	34.5 mm	188.0 mm	170.0 mm	82.7 mm

