

## Technical Information

No. FO 5426

Edition: 01/06 - subject to change

Supersedes: 04/05

Status: valid



## Longlife Metal Halide Lamp

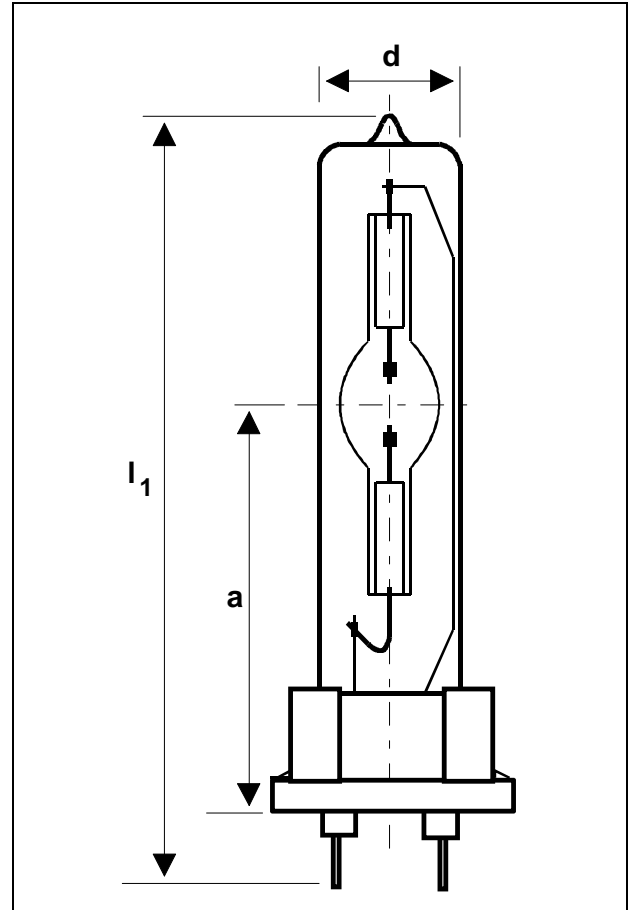
# 4ArXS HSD<sup>®</sup> 150W/70

### ■ 4ArXS – For Architainment eXtreme Seal

The OSRAM 4ArXS HSD<sup>®</sup> 150W/70 is a longlife metal halide lamp with outer bulb and UV filter. The lamp is characterized by a high luminance and - with 3,000 hours - a high average service life. The “eXtreme Seal” technology enables higher pinch temperatures up to max. 450°C. The lamp is suitable only for cold start. The 4ArXS HSD<sup>®</sup> 150W/70 is perfect for use in effect and architectural effect lighting.

### ■ Technical data

Order reference	4ArXS HSD <sup>®</sup> 150W/70	
Rated wattage	W	150
Rated voltage	V	97
Rated lamp current (~)	A	1.8
Ignition voltage	kV <sub>s</sub>	3.5 (max. 5.0)
Luminous flux	lm	12,000
Color rendering index	Ra	> 85
Color temperature	K	7,000
Arc length	mm	5.5
Lamp length (overall) l <sub>1</sub>	mm	max. 105
Bulb diameter d	mm	max. 20
LCL (a)	mm	56
Average service life	h	3,000
Base	G 12	



### ■ Lamp operation

Maximum permissible base temperature	°C	450 at Molybdenium foil / Pinch seal region (eXtreme Seal Technology)
Cooling	Convection or Fan	
Burning position	any	

The 4ArXS HSD<sup>®</sup> 150W/70 can either be operated on magnetic ballast or on electronic power supplies (ECG).

### ■ Manufacturers of igniters and control gear (not all officially approved by OSRAM)

Igniters:	OSRAM (integrated to Powertronic), BAG NI 400 LE, Magnetek ZG 4,5
Ballasts:	VS NaHJ 150.522, VS NaHJ 150.355, Tridonic OMBIS 150, ERC HID 90
ECGs:	OSRAM Powertronic PTU 150/220-240, Schiederwerk, Mitronic, Rotec, Tridonic

### ■ Safety instruction

The 4ArXS HSD<sup>®</sup> 150W/70 is equipped with an UV filter. Nevertheless because of the fact that 4ArXS HSD<sup>®</sup> lamps operate at high pressures, they may only be used in purpose-built enclosed housings.