

# Product Information Bulletin

## ELC Lamp Series

### Low Voltage Tungsten Halogen Lamps with Reflector



- Full series of ELC lamps
- Dichroic coated glass reflector (MR16)
- Rugged design
- The ELC 64653 HLX, ELC-3/X, ELC-7/X and ELC-10 64659 HLX use OSRAM XENOPHOT® technology (Xenon fill gas)
- Long life with ELC-7/X lamp (700 hrs) and ELC-10 (1000 hrs)
- ELC-HL is highest lumen ELC lamp with 50 hrs of service life and 950 screen lumens.

### Specification Information

| Ordering Abbreviation    |     | ELC    | ELC 64653 HLX | ELC-3/X | ELC-7/X | ELC-HL | ELC-10 64659 HLX |
|--------------------------|-----|--------|---------------|---------|---------|--------|------------------|
| <b>Electrical Data:</b>  |     |        |               |         |         |        |                  |
| Watts                    | W   | 250    | 250           | 250     | 250     | 250    | 250              |
| Voltage                  | V   | 24     | 24            | 24      | 24      | 24     | 24               |
| <b>Photometric Data:</b> |     |        |               |         |         |        |                  |
| Screen Lumens            | lm  | 800    | 900           | 550     | 475     | 950    | 400              |
| <b>Geometrical Data:</b> |     |        |               |         |         |        |                  |
| Length l Max.            | mm  | 44.83  | 44.5          | 44.83   | 44.83   | 44.83  | 44.50            |
| Working Distance a       | mm  | 31.75  | 35.0          | 31.75   | 31.75   | 31.75  | 35.0             |
| Diameter d               | mm  | 51     | 51            | 51      | 51      | 51     | 51               |
| <b>Other Data:</b>       |     |        |               |         |         |        |                  |
| Average Service Life     | hrs | 50     | 50            | 300     | 700     | 50     | 1000             |
| Color Temperature        | K   | 3400   | 3400          | 3250    | 3200    | 3400   | 3200             |
| Base                     |     | GX 5.3 | GX 5.3        | GX 5.3  | GX 5.3  | GX 5.3 | GX 5.3           |
| Bulb                     |     | T3.5   | T3.5          | T3.5    | T3.5    | T3.5   | T3.5             |
| Operating Position       |     | Any    | p90/15        | Any     | Any     | Any    | p90/15           |

### Application Information

#### Applications

- Overhead Projection
- Fiber-Optic
- Entertainment
- 1 hr photo finishing

#### WARNING

This lamp emits ultraviolet (UV) radiation and operates at high internal pressure. **Before use**, read the complete warning accompanying the product.

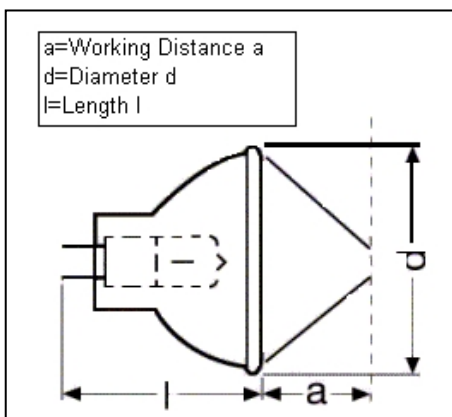
#### Disposal

When disposing of spent lamps, always consult federal, state, local and provincial hazardous waste disposal rules and regulations to ensure proper disposal.

## Ordering Information

| Lamp Description | NAED Code | Standard Case Quantity |
|------------------|-----------|------------------------|
| ELC              | 54840     | 24/case                |
| ELC / 64653 HLX  | 54212     | 20/case                |
| ELC-3 / X        | 54841     | 24/case                |
| ELC-7 / X        | 54814     | 24/case                |
| ELC-7 / X Bulk   | 54811     | 100/case               |
| ELC-HL           | 54804     | 24/case                |
| ELC-10 64659 HLX | 54366     | 20/case                |

### ELC Line Drawing



For Orders and  
General Information:  
**OSRAM SYLVANIA**  
National Customer Service  
And Sales Center  
18725 N. Union Street  
Westfield, IN 46074

**Display/Optic**  
Phone: 1-888-677-2627  
Phone: 1-888-OSRAMCS  
Fax: 1-800-762-7192

**Special Markets**  
Phone: 1-800-762-7191  
Fax: 1-800-762-7192

**Industrial and Commercial**  
Phone: 1-800-255-5042  
Fax: 1-800-255-5043

**In Canada**  
**OSRAM SYLVANIA LTD.**  
Headquarters  
2001 Drew Road  
Mississauga, ON L5S 1S4

**Special Markets**  
Phone: 1-800-265-2852  
Fax: 1-800-667-6772

**Industrial and Commercial**  
Phone: 1-800-263-2852  
Fax: 1-800-667-6772

Visit our website: [www.sylvania.com](http://www.sylvania.com)

In North America OSRAM brand lighting  
products are sold by OSRAM SYLVANIA

SEE THE WORLD IN A NEW LIGHT

