



MASTER SDW-T



MASTER SDW-T 100W/825 PG12-1 1SL/12

Range of high-efficiency, discharge lamps with warm color to be used in open luminaires

Warnings and Safety

- Use only with dedicated Philips control gear
- A lamp breaking is extremely unlikely to have any impact on your health. If a lamp breaks, ventilate the room for 30 minutes and remove the parts, preferably with gloves. Put them in a sealed plastic bag and take it to your local waste facilities for recycling. Do not use a vacuum cleaner.

Product data

General information	
Cap-Base	PG12-1 [PG12-1]
Operating Position	UNIVERSAL [Any or Universal (U)]
Life to 5% Failures (Nom)	5000 h
Life to 20% Failures (Nom)	10000 h
Life to 50% Failures (Nom)	15000 h
Useful Life (Nom)	10000 h
ANSI Code HID	-
System Description	200 to 250V
Flux measurement reference	Sphere
Light technical	
Color Code	825 [CCT of 2500K]
Luminous Flux (Nom)	5100 lm
Luminous Flux (Rated) (Nom)	5100 lm
Color Designation	Golden White
Lumen Maintenance 2000 h (Nom)	85 %
Lumen Maintenance 5000 h (Nom)	80 %
Chromaticity Coordinate X (Nom)	0.478

Chromaticity Coordinate Y (Nom)	0.415
Correlated Color Temperature (Nom)	2500 K
Luminous Efficacy (rated) (Nom)	52.58 lm/W
Color Rendering Index (Nom)	83

Operating and electrical

Power (Nom)	97.0 W
Lamp Current Run-Up (Max)	2.8 A
Lamp Current (EM) (Nom)	0.13 A
Ignition Peak Voltage (Max)	5000 V
Ignition Supply Voltage (Min)	205 V
Voltage (Max)	108 V
Voltage (Min)	88 V
Voltage (Nom)	97 V

Controls and dimming

Dimmable	No
----------	----

MASTER SDW-T

Mechanical and housing

Bulb Finish	Clear
Bulb Material	Hard Glass
Bulb Shape	T31 [T 31mm]

Approval and application

Energy Efficiency Class	G
Mercury (Hg) Content (Max)	11.4 mg
Mercury (Hg) Content (Nom)	11.4 mg
Energy Consumption kWh/1000 h	97 kWh
EPREL Registration Number	473397

Luminaire design requirements

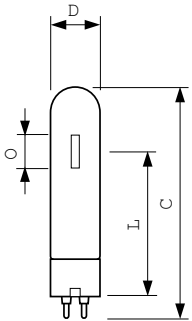
Bulb Temperature (Max)	450 °C
------------------------	--------

Cap-Base Temperature (Max)	120 °C
----------------------------	--------

Product data

Full product code	871150073404415
Order product name	MASTER SDW-T 100W/825 PG12-1 1SL/12
EAN/UPC - Product	8711500734044
Order code	928154109227
Numerator - Quantity Per Pack	1
Numerator - Packs per outer box	12
Material Nr. (12NC)	928154109227
Net Weight (Piece)	0.055 kg
ILCOS Code	STH-100-H/E-PG12

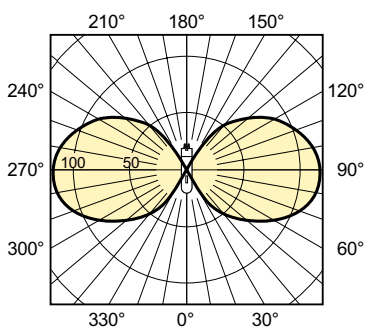
Dimensional drawing



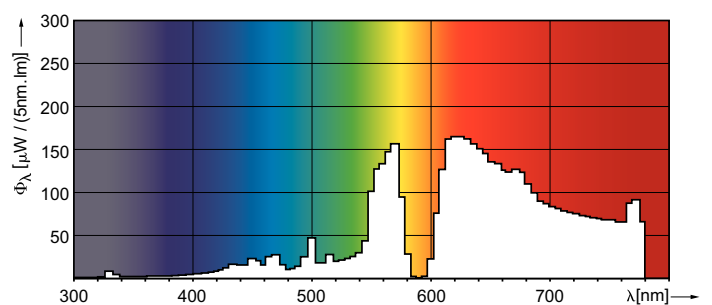
MASTER SDW-T 100W/825 PG12-1 1SL/12

Product	D (max)	O	L	C (max)
MASTER SDW-T 100W/825 PG12-1 1SL/12	32 mm	18.3 mm	91 mm	149 mm

Photometric data



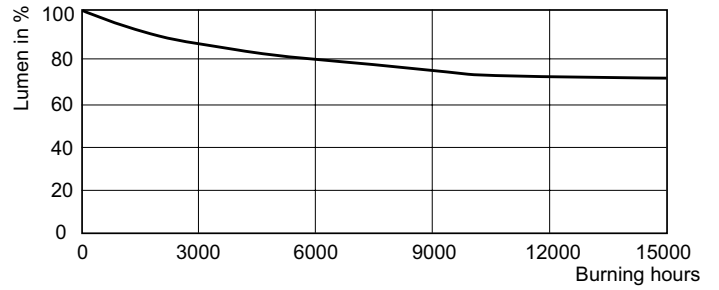
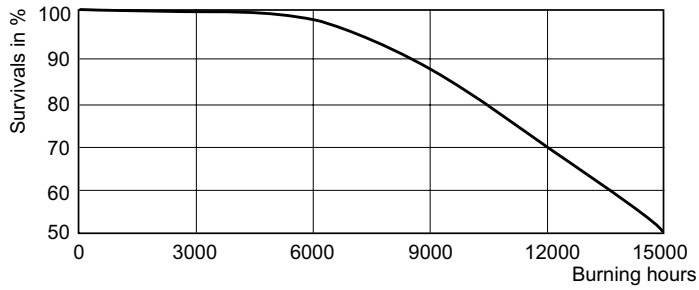
LDLD_SDW-T-Light distribution diagram



LDPO_SDW-T_35W_50W_100W-Spectral power distribution Colour

MASTER SDW-T

Lifetime



LDLE_SDW-T_100W_825-Life expectancy diagram

