



# MASTERCcolour CDM-TC Elite



## MASTERCcolour CDM-TC Elite 35W/942 G8.5 1CT

Compact, single-ended, very high-efficiency, long-life ceramic metal-halide discharge lamp producing crisp white sparkling light with high color rendering

### Warnings and Safety

- Use only in totally enclosed luminaire, even during testing (IEC61167, IEC 62035, IEC60598)
- The luminaire must be able to contain hot lamp parts if the lamp ruptures
- Use only with electronic control gear
- Control gear must include end-of-life protection (IEC61167, IEC 62035)
- A lamp breaking is extremely unlikely to have any impact on your health. If a lamp breaks, ventilate the room for 30 minutes and remove the parts, preferably with gloves. Put them in a sealed plastic bag and take it to your local waste facilities for recycling. Do not use a vacuum cleaner.

### Product data

General information		Luminous Flux (Rated) (Nom)	
Cap-Base	G8.5 [ G8.5]		3800 lm
Operating Position	UNIVERSAL [ Any or Universal (U)]	Color Designation	Cool White (CW)
Life to 5% Failures (Nom)	9000 h	Lumen Maintenance 12000 h (Nom)	71 %
Life To 10% Failures (Nom)	10000 h	Lumen Maintenance 10000 h (Nom)	73 %
Life to 20% Failures (Nom)	12000 h	Lumen Maintenance 2000 h (Nom)	84 %
Life to 50% Failures (Nom)	15000 h	Lumen Maintenance 5000 h (Nom)	79 %
ANSI Code HID	-	Chromaticity Coordinate X (Nom)	0.371
Flux measurement reference	Sphere	Chromaticity Coordinate Y (Nom)	0.366
		Correlated Color Temperature (Nom)	4200 K
		Luminous Efficacy (rated) (Nom)	97 lm/W
		Color Rendering Index (Min)	87
		Color Rendering Index (Nom)	90
Light technical			
Color Code	942 [ CCT of 4200K]		
Luminous Flux (Nom)	3800 lm		
Luminous Flux (Rated) (Min)	3420 lm		

# MASTERCcolour CDM-TC Elite

## Operating and electrical

Power (Nom)	39.1 W
Ignition Supply Voltage (Min)	198 V
Re-Ignition Time (Min) (Max)	15 min
Ignition Time (Max)	30 s
Voltage (Max)	97 V
Voltage (Min)	85 V
Voltage (Nom)	91 V

## Controls and dimming

Dimmable	No
Run-Up Time 90% (Max)	3 min

## Mechanical and housing

Bulb Finish	Clear
Bulb Shape	T14 [ T 14 mm]

## Approval and application

Energy Efficiency Class	F
Mercury (Hg) Content (Max)	4.9 mg
Mercury (Hg) Content (Nom)	4.9 mg
Energy Consumption kWh/1000 h	40 kWh
EPREL Registration Number	473274

## UV

Pet (Niosh) (Min)	8 h/500lx
Damage Factor D/fc (Max)	0.4

## Luminaire design requirements

Bulb Temperature (Max)	500 °C
Pinch Temperature (Max)	300 °C
Pinch Temperature (Max)-DUP(do not use)	300 °C

## Product data

Full product code	871829116366400
Order product name	MASTERCcolour CDM-TC Elite 35W/942 G8.5 1CT
EAN/UPC - Product	8718291163664
Order code	928193805131
Numerator - Quantity Per Pack	1
Local code description	MASTERC CDM-TC Elite 35W/942 G8.5 1CT
Numerator - Packs per outer box	12
Material Nr. (12NC)	928193805131
Net Weight (Piece)	0.009 kg
ILCOS Code	MT/UB-35/942-H-G8.5-17/85

## Dimensional drawing

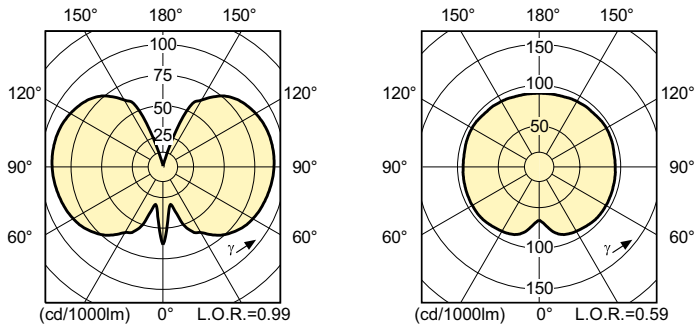
. D .

Product	D (max)	O	L (min)	L (max)	L	C (max)
MASTERCcolour CDM-TC Elite 35W/942 G8.5 1CT	15 mm	5.2 mm	51 mm	53 mm	52 mm	85 mm

MASTERCcolour CDM-TC Elite 35W/942 G8.5 1CT

# MASTERCoulour CDM-TC Elite

## Photometric data



LLDL\_CDMTC-E\_0003-Light distribution diagram

## Lifetime

