



MHN-TD



MHN-TD 70W/730 RX7s 1CT/12

Double-ended quartz Metal-halide lamp

Warnings and Safety

- Use only in totally enclosed luminaire, even during testing (IEC61167, IEC 62035, IEC60598)
- The luminaire must be able to contain hot lamp parts if the lamp ruptures
- Control gear must include end-of-life protection (IEC61167, IEC 62035)
- A lamp breaking is extremely unlikely to have any impact on your health. If a lamp breaks, ventilate the room for 30 minutes and remove the parts, preferably with gloves. Put them in a sealed plastic bag and take it to your local waste facilities for recycling. Do not use a vacuum cleaner.

Product data

General information		
Cap-Base	RX7S [RX7s]	color characteristics may change after long accumulate operating time.
Operating Position	P45 [Parallel +/-45D or Horizontal(HOR)]	Footnotes HID 2
Life to 5% Failures (Min)	4000 h	Performance may not be satisfactory unless operated within specified operating positions. (374)
Life to 5% Failures (Nom)	5000 h	Flux measurement reference
Life to 20% Failures (Min)	5800 h	Sphere
Life to 20% Failures (Nom)	7000 h	
Life to 50% Failures (Min)	7500 h	Light technical
Life to 50% Failures (Nom)	9000 h	Color Code
ANSI Code HID	M85/E	730 [CCT of 3000K]
Footnotes HID 1	Color characteristics may vary somewhat from one lamp type to another. Time should be allowed for the lamp to stabilize in color when it is turned on for the first time or if for any reason its operating position is changed. This may require several hours' operation, with more than one start. Lamp color and output may change temporarily if the lamp is subjected to excess vibration or shock. Lamp	Luminous Flux (Nom)
		5800 lm
		Luminous Flux (Rated) (Min)
		5220 lm
		Luminous Flux (Rated) (Nom)
		5800 lm
		Color Designation
		Warm White (WW)
		Lumen Maintenance 10000 h (Min)
		45 %
		Lumen Maintenance 10000 h (Nom)
		55 %
		Lumen Maintenance 2000 h (Min)
		59 %
		Lumen Maintenance 2000 h (Nom)
		65 %
		Lumen Maintenance 5000 h (Min)
		53 %

MHN-TD

Lumen Maintenance 5000 h (Nom)	60 %
Chromaticity Coordinate X (Nom)	0.434
Chromaticity Coordinate Y (Nom)	0.398
Correlated Color Temperature (Nom)	3000 K
Luminous Efficacy (Rated) (Min)	67 lm/W
Luminous Efficacy (rated) (Nom)	75 lm/W
Color Rendering Index (Nom)	65

Operating and electrical

Power (Nom)	77.0 W
Lamp Current Run-Up (Max)	1.35 A
Lamp Current (EM) (Nom)	0.98 A
Ignition Supply Voltage (Max)	198 V
Ignition Peak Voltage (Max)	5000 V
Ignition Supply Voltage (Min)	198 V
Ignition Peak Voltage (Min)	1800 V
Voltage (Max)	98 V
Voltage (Min)	78 V
Voltage (Nom)	90 V

Controls and dimming

Dimmable	No
----------	----

Mechanical and housing

Bulb Finish	Clear
Cap-Base Information	-
Bulb Shape	TD

Approval and application

Energy Efficiency Class	G
Mercury (Hg) Content (Max)	13.4 mg
Mercury (Hg) Content (Nom)	13.4 mg
Energy Consumption kWh/1000 h	77 kWh
EPREL Registration Number	473286

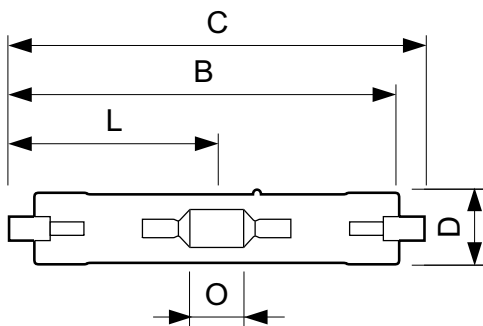
Luminaire design requirements

Bulb Temperature (Max)	500 °C
Pinch Temperature (Max)	280 °C
Pinch Temperature (Max)-DUP(do not use)	280 °C

Product data

Full product code	871829121530100
Order product name	MHN-TD 70W/730 RX7s 1CT/12
EAN/UPC - Product	8718291215301
Order code	928482400092
Numerator - Quantity Per Pack	1
Local code description	LAMPADA HALETO METALICO MHN-TD70W-730
Numerator - Packs per outer box	12
Material Nr. (12NC)	928482400092
Net Weight (Piece)	0.028 kg
ILCOS Code	MD/UB-70/730-H-RX7s-22/117.6

Dimensional drawing

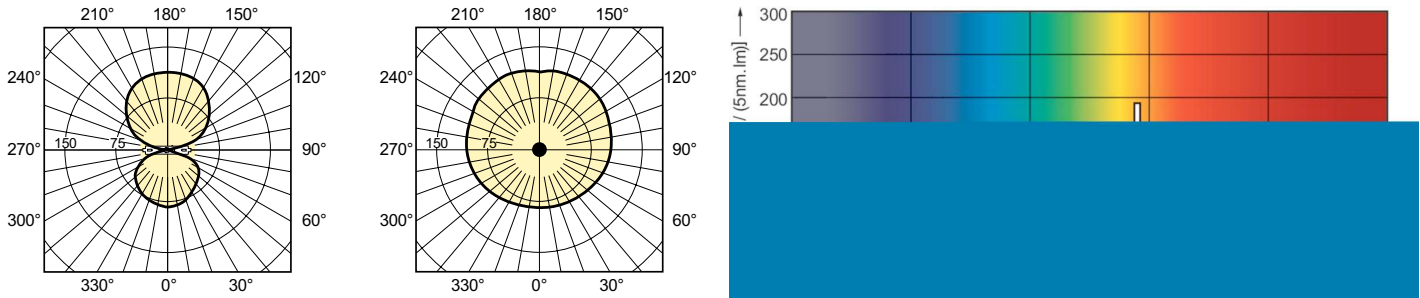


MHN-TD 70W/730 RX7s 1CT/12

Product	D (max)	D	O	C (max)
MHN-TD 70W/730 RX7s 1CT/12	19.5 mm	0.75 in	7.7 mm	117.6 mm

MHN-TD

Photometric data



LDLD_MHN-TD-Light distribution diagram

