



# MASTER LEDspot ExpertColor LV



## MAS LED ExpertColor 6.7-35W MR16 940 36D

MASTER LEDspot LV ExpertColor creates a warm and comfortable ambience for hospitality venues, homes and restaurants. It creates such an ambience with superior lighting that has a customized spectrum, high CRI, and deep dimming feature. The result? A beautiful lighting experience. What's more, the innovative, trimless lens design will suit almost any interior decor with its clean and neat look. In addition, you can take advantage of the full ExpertColor family, which also includes LEDspot MV and LEDspot Par lamps.

### Product data

General Information		Luminous Flux in 90° Cone (Rated)	460 lumen
Lighting Technology	LED	Operating and Electrical	
Flux measurement reference	Narrow Cone	Line Frequency	- Hz
Switching Cycle	50,000	Input Frequency	- Hz
Nominal lifetime	40,000 hour(s)	Power Consumption	6.7 W
Cap-Base	GU5.3 [GU5.3]	Lamp Current (Nom)	650 mA
Light Technical		Wattage Equivalent	35 W
Color Code	940 [CCT of 4000K]	Starting Time (Nom)	0.5 s
Beam Angle (Nom)	36 degree(s)	Warm-up time to 60% light	0.5 s
Luminous Flux	460 lumen	Power Factor (Fraction)	0.7
Luminous Intensity (Nom)	1,400 cd	Voltage (Nom)	ac electronic 12 V
Color Designation	Cool White (CW)	Temperature	
Correlated Color Temperature (Nom)	4000 K	T-Case Maximum (Nom)	92 °C
Luminous Efficacy (rated) (Nom)	68.00 lm/W		
Color Consistency	<3		
Color rendering index (CRI)	97		
LLMF At End Of Nominal Lifetime (Nom)	70 %		

# MASTER LEDspot ExpertColor LV

## Controls and Dimming

Dimmable	Only with specific dimmers
----------	----------------------------

## Mechanical and Housing

Bulb Shape	MR16 [2inch/50mm]
------------	-------------------

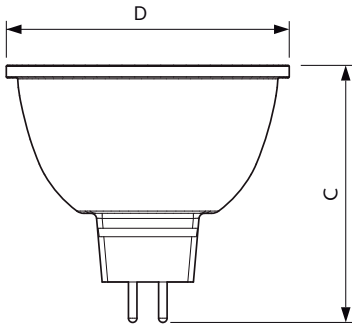
## Approval and Application

Energy Efficiency Class	G
Suitable For Accent Lighting	Yes
Energy Consumption kWh/1000 h	7 kWh
EPREL Registration Number	624215
CE mark	Yes
EU RoHS compliant	Yes

## Product Data

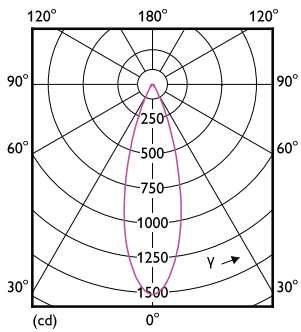
Full product code	871951435863800
Order product name	MAS LED ExpertColor 6.7-35W MR16 940 36D
Order code	929003079602
Numerator - Quantity Per Pack	1
Numerator - Packs per outer box	10
Material number (12NC)	929003079602
Full product name	MAS LED ExpertColor 6.7-35W MR16 940 36D
EAN/UPC - Case	8719514358645

## Dimensional drawing

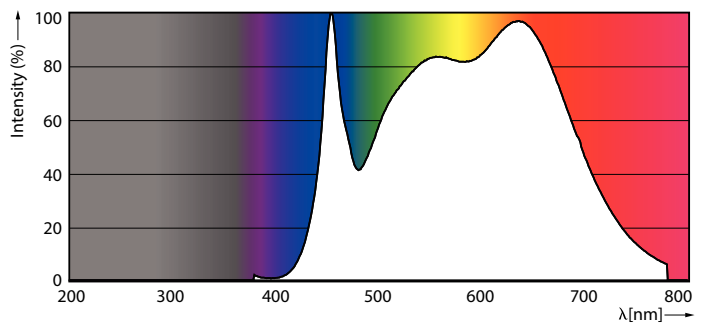


Product	D	C
MAS LED ExpertColor 6.7-35W MR16 940 36D	50.5 mm	46 mm

## Photometric data



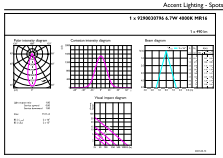
Light Distribution Diagram - MAS LED ExpertColor 6.7-35W MR16 940 36D



Spectral Power Distribution Colour - MAS LED ExpertColor 6.7-35W MR16 940 36D

# MASTER LEDspot ExpertColor LV

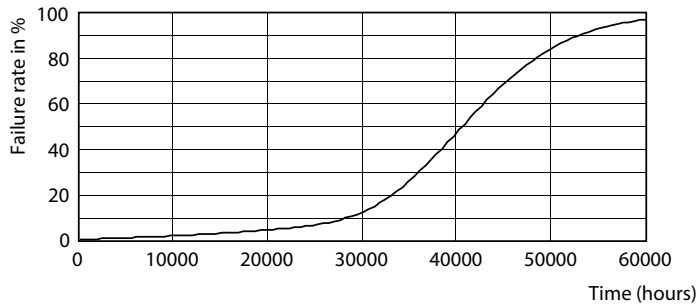
## Photometric data



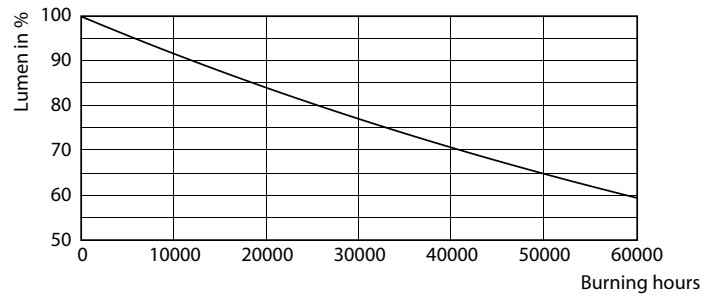
© 2023 Philips Lighting B.V. All rights reserved. Philips Lighting B.V. Page 11

Accent Lighting Spots - MAS LED ExpertColor 6.7-35W MR16 940 36D

## Lifetime



Life Expectancy Diagram - MAS LED ExpertColor 6.7-35W MR16 940 36D



Lumen Maintenance Diagram - MAS LED ExpertColor 6.7-35W MR16 940 36D

