



MASTER LEDspot ExpertColor LV



MAS LED ExpertColor 6.7-35W MR16 930 36D

MASTER LEDspot LV ExpertColor creates a warm and comfortable ambience for hospitality venues, homes and restaurants. It creates such an ambience with superior lighting that has a customized spectrum, high CRI, and deep dimming feature. The result? A beautiful lighting experience. What's more, the innovative, trimless lens design will suit almost any interior decor with its clean and neat look. In addition, you can take advantage of the full ExpertColor family, which also includes LEDspot MV and LEDspot Par lamps.

Product data

General Information	
Lighting Technology	LED
Flux measurement reference	Narrow Cone
Switching Cycle	50,000
Nominal lifetime	40,000 hour(s)
Cap-Base	GU5.3 [GU5.3]
Light Technical	
Color Code	930 [CCT of 3000K]
Beam Angle (Nom)	36 degree(s)
Luminous Flux	440 lumen
Luminous Intensity (Nom)	1,400 cd
Color Designation	White (WH)
Correlated Color Temperature (Nom)	3000 K
Luminous Efficacy (rated) (Nom)	65 lm/W
Color Consistency	<3
Color rendering index (CRI)	97
LLMF At End Of Nominal Lifetime (Nom)	70 %

Luminous Flux in 90° Cone (Rated)	440 lumen
Operating and Electrical	
Line Frequency	- Hz
Input Frequency	- Hz
Power Consumption	6.7 W
Lamp Current (Nom)	650 mA
Wattage Equivalent	35 W
Starting Time (Nom)	0.5 s
Warm-up time to 60% light	0.5 s
Power Factor (Fraction)	0.7
Voltage (Nom)	ac electronic 12 V
Temperature	
T-Case Maximum (Nom)	92 °C

MASTER LEDspot ExpertColor LV

Controls and Dimming

Dimmable	Only with specific dimmers
----------	----------------------------

Mechanical and Housing

Bulb Shape	MR16 [2inch/50mm]
------------	-------------------

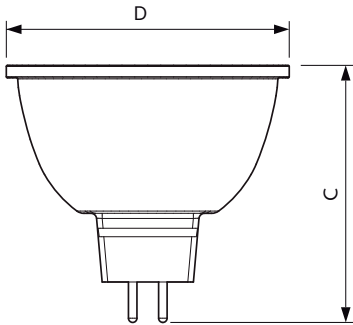
Approval and Application

Energy Efficiency Class	G
Suitable For Accent Lighting	Yes
Energy Consumption kWh/1000 h	7 kWh
EPREL Registration Number	624223
CE mark	Yes
EU RoHS compliant	Yes

Product Data

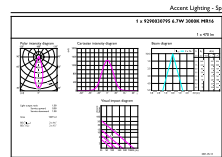
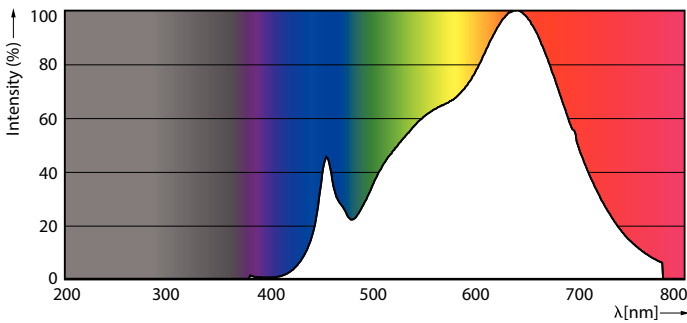
Full product code	871951435861400
Order product name	MAS LED ExpertColor 6.7-35W MR16 930 36D
Order code	929003079502
Numerator - Quantity Per Pack	1
Numerator - Packs per outer box	10
Material number (12NC)	929003079502
Full product name	MAS LED ExpertColor 6.7-35W MR16 930 36D
EAN/UPC - Case	8719514358621

Dimensional drawing



Product	D	C
MAS LED ExpertColor 6.7-35W MR16 930 36D	50.5 mm	46 mm

Photometric data

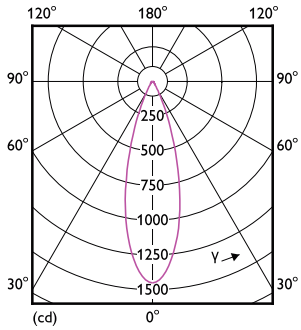


Spectral Power Distribution Colour - MAS LED ExpertColor 6.7-35W MR16 930 36D

Accent Lighting Spots - MAS LED ExpertColor 6.7-35W MR16 930 36D

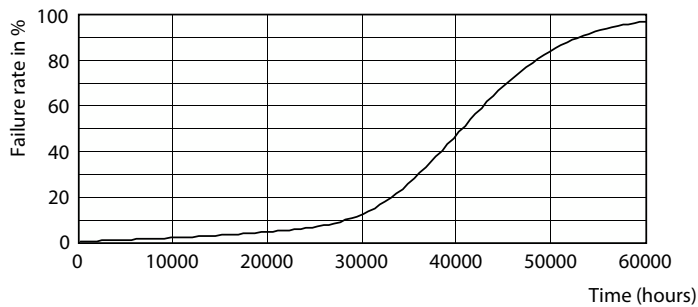
MASTER LEDspot ExpertColor LV

Photometric data

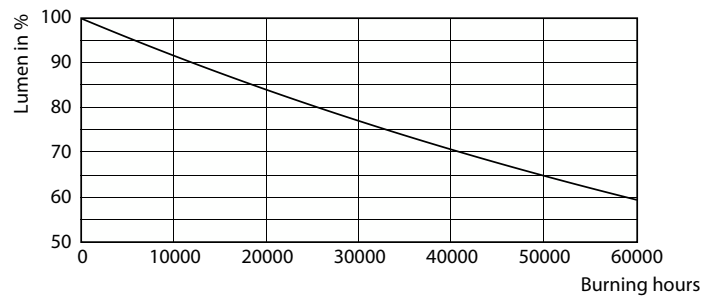


Light Distribution Diagram - MAS LED ExpertColor 6.7-35W MR16 930 36D

Lifetime



Life Expectancy Diagram - MAS LED ExpertColor 6.7-35W MR16 930 36D



Lumen Maintenance Diagram - MAS LED ExpertColor 6.7-35W MR16 930 36D

