



MASTER LEDspot ExpertColor LV



MAS LED ExpertColor 6.7-35W MR16 940 24D

MASTER LEDspot LV ExpertColor creates a warm and comfortable ambience for hospitality venues, homes and restaurants. It creates such an ambience with superior lighting that has a customized spectrum, high CRI, and deep dimming feature. The result? A beautiful lighting experience. What's more, the innovative, trimless lens design will suit almost any interior decor with its clean and neat look. In addition, you can take advantage of the full ExpertColor family, which also includes LEDspot MV and LEDspot Par lamps.

Product data

General Information		Luminous Flux in 90° Cone (Rated)	460 lumen
Lighting Technology	LED	Operating and Electrical	
Flux measurement reference	Narrow Cone	Line Frequency	- Hz
Switching Cycle	50,000	Input Frequency	- Hz
Nominal lifetime	40,000 hour(s)	Power Consumption	6.7 W
Cap-Base	GU5.3 [GU5.3]	Lamp Current (Nom)	650 mA
Light Technical		Wattage Equivalent	35 W
Color Code	940 [CCT of 4000K]	Starting Time (Nom)	0.5 s
Beam Angle (Nom)	24 degree(s)	Warm-up time to 60% light	0.5 s
Luminous Flux	460 lumen	Power Factor (Fraction)	0.7
Luminous Intensity (Nom)	2,200 cd	Voltage (Nom)	ac electronic 12 V
Color Designation	Cool White (CW)	Temperature	
Correlated Color Temperature (Nom)	4000 K	T-Case Maximum (Nom)	92 °C
Luminous Efficacy (rated) (Nom)	68.00 lm/W		
Color Consistency	<3		
Color rendering index (CRI)	97		
LLMF At End Of Nominal Lifetime (Nom)	70 %		

MASTER LEDspot ExpertColor LV

Controls and Dimming

Dimmable Only with specific dimmers

Mechanical and Housing

Bulb Shape MR16 [2inch/50mm]

Approval and Application

Energy Efficiency Class G

Suitable For Accent Lighting Yes

Energy Consumption kWh/1000 h 7 kWh

EPREL Registration Number 624218

CE mark Yes

EU RoHS compliant Yes

Product Data

Full product code 871951435857700

Order product name MAS LED ExpertColor 6.7-35W MR16 940 24D

Order code 929003079302

Numerator - Quantity Per Pack 1

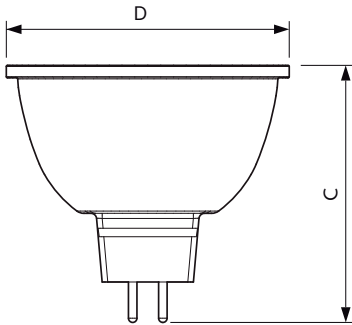
Numerator - Packs per outer box 10

Material number (12NC) 929003079302

Full product name MAS LED ExpertColor 6.7-35W MR16 940 24D

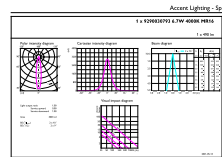
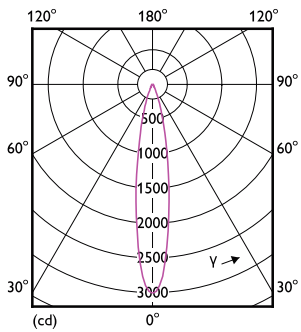
EAN/UPC - Case 8719514358584

Dimensional drawing



Product	D	C
MAS LED ExpertColor 6.7-35W MR16 940 24D	50.5 mm	46 mm

Photometric data

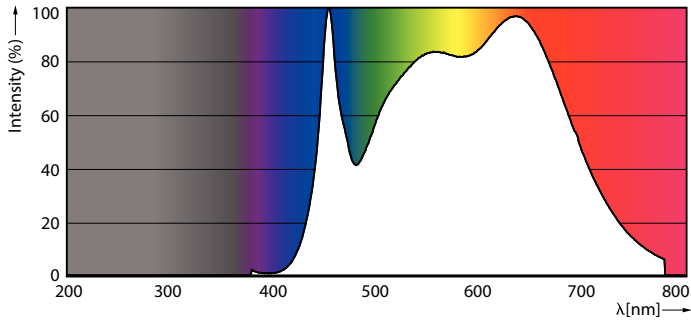


Light Distribution Diagram - MAS LED ExpertColor 6.7-35W MR16 940 24D

Accent Lighting Spots - MAS LED ExpertColor 6.7-35W MR16 940 24D

MASTER LEDspot ExpertColor LV

Photometric data



Spectral Power Distribution Colour - MAS LED ExpertColor 6.7-35W MR16 940 24D

Lifetime



Life Expectancy Diagram - MAS LED ExpertColor 6.7-35W MR16 940 24D



Lumen Maintenance Diagram - MAS LED ExpertColor 6.7-35W MR16 940 24D

