



MASTER LEDspot ExpertColor LV



MAS LED ExpertColor 6.7-35W MR16 930 10D

MASTER LEDspot LV ExpertColor creates a warm and comfortable ambience for hospitality venues, homes and restaurants. It creates such an ambience with superior lighting that has a customized spectrum, high CRI, and deep dimming feature. The result? A beautiful lighting experience. What's more, the innovative, trimless lens design will suit almost any interior decor with its clean and neat look. In addition, you can take advantage of the full ExpertColor family, which also includes LEDspot MV and LEDspot Par lamps.

Product data

General Information		Luminous Flux in 90° Cone (Rated)	
Lighting Technology	LED		430 lumen
Flux measurement reference	Narrow Cone	Operating and Electrical	
Switching Cycle	50,000	Line Frequency	- Hz
Nominal lifetime	40,000 hour(s)	Input Frequency	- Hz
Cap-Base	GU5.3 [GU5.3]	Power Consumption	6.7 W
Light Technical		Lamp Current (Nom)	650 mA
Color Code	930 [CCT of 3000K]	Wattage Equivalent	35 W
Beam Angle (Nom)	10 degree(s)	Starting Time (Nom)	0.5 s
Luminous Flux	430 lumen	Warm-up time to 60% light	0.5 s
Luminous Intensity (Nom)	4,800 cd	Power Factor (Fraction)	0.7
Color Designation	White (WH)	Voltage (Nom)	ac electronic 12 V
Correlated Color Temperature (Nom)	3000 K	Temperature	
Luminous Efficacy (rated) (Nom)	64.00 lm/W	T-Case Maximum (Nom)	92 °C
Color Consistency	<3		
Color rendering index (CRI)	97		
LLMF At End Of Nominal Lifetime (Nom)	70 %		

MASTER LEDspot ExpertColor LV

Controls and Dimming

Dimmable	Only with specific dimmers
----------	----------------------------

Mechanical and Housing

Bulb Shape	MR16 [2inch/50mm]
------------	-------------------

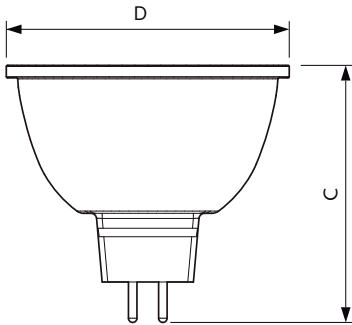
Approval and Application

Energy Efficiency Class	G
Suitable For Accent Lighting	Yes
Energy Consumption kWh/1000 h	7 kWh
EPREL Registration Number	624209
CE mark	Yes
EU RoHS compliant	Yes

Product Data

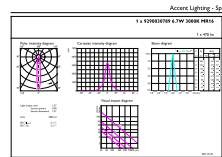
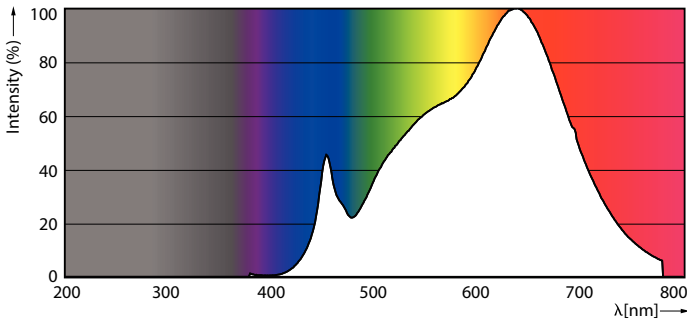
Full product code	871951435849200
Order product name	MAS LED ExpertColor 6.7-35W MR16 930 10D
Order code	929003078902
Numerator - Quantity Per Pack	1
Numerator - Packs per outer box	10
Material number (12NC)	929003078902
Full product name	MAS LED ExpertColor 6.7-35W MR16 930 10D
EAN/UPC - Case	8719514358508

Dimensional drawing



Product	D	C
MAS LED ExpertColor 6.7-35W MR16 930 10D	50.5 mm	46 mm

Photometric data

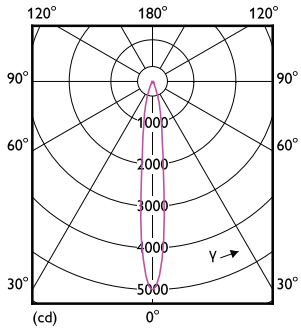


Spectral Power Distribution Colour - MAS LED ExpertColor 6.7-35W MR16 930 10D

Accent Lighting Spots - MAS LED ExpertColor 6.7-35W MR16 930 10D

MASTER LEDspot ExpertColor LV

Photometric data

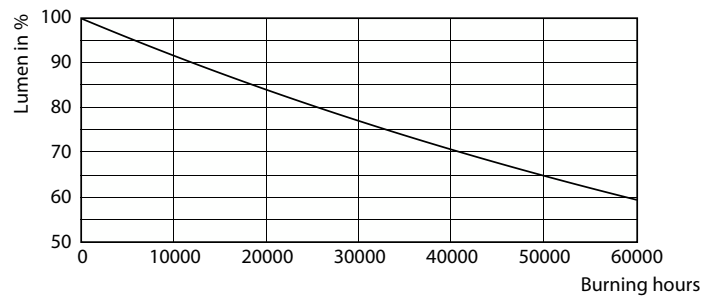


Light Distribution Diagram - MAS LED ExpertColor 6.7-35W MR16 930 10D

Lifetime



Life Expectancy Diagram - MAS LED ExpertColor 6.7-35W MR16 930 10D



Lumen Maintenance Diagram - MAS LED ExpertColor 6.7-35W MR16 930 10D

