



# MASTER LEDspot ExpertColor LV



## MAS LED ExpertColor 6.7-35W MR16 927 10D

MASTER LEDspot LV ExpertColor creates a warm and comfortable ambience for hospitality venues, homes and restaurants. It creates such an ambience with superior lighting that has a customized spectrum, high CRI, and deep dimming feature. The result? A beautiful lighting experience. What's more, the innovative, trimless lens design will suit almost any interior decor with its clean and neat look. In addition, you can take advantage of the full ExpertColor family, which also includes LEDspot MV and LEDspot Par lamps.

### Product data

General Information		Luminous Flux in 90° Cone (Rated)	
Lighting Technology	LED		410 lumen
Flux measurement reference	Narrow Cone	Operating and Electrical	
Switching Cycle	50,000	Line Frequency	- Hz
Nominal lifetime	40,000 hour(s)	Input Frequency	- Hz
Cap-Base	GU5.3 [GU5.3]	Power Consumption	6.7 W
Light Technical		Lamp Current (Nom)	650 mA
Color Code	927 [CCT of 2700K]	Wattage Equivalent	35 W
Beam Angle (Nom)	10 degree(s)	Starting Time (Nom)	0.5 s
Luminous Flux	410 lumen	Warm-up time to 60% light	0.5 s
Luminous Intensity (Nom)	4,600 cd	Power Factor (Fraction)	0.7
Color Designation	Warm White (WW)	Voltage (Nom)	ac electronic 12 V
Correlated Color Temperature (Nom)	2700 K	Temperature	
Luminous Efficacy (rated) (Nom)	61.00 lm/W	T-Case Maximum (Nom)	92 °C
Color Consistency	<3		
Color rendering index (CRI)	97		
LLMF At End Of Nominal Lifetime (Nom)	70 %		

# MASTER LEDspot ExpertColor LV

## Controls and Dimming

**Dimmable** Only with specific dimmers

## Mechanical and Housing

**Bulb Shape** MR16 [2inch/50mm]

## Approval and Application

**Energy Efficiency Class** G

**Suitable For Accent Lighting** Yes

**Energy Consumption kWh/1000 h** 7 kWh

**EPREL Registration Number** 624220

**CE mark** Yes

**EU RoHS compliant** Yes

## Product Data

**Full product code** 871951435847800

**Order product name** MAS LED ExpertColor 6.7-35W MR16 927 10D

**Order code** 929003078802

**Numerator - Quantity Per Pack** 1

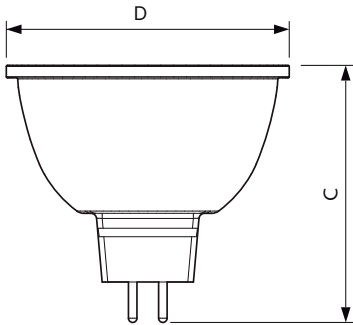
**Numerator - Packs per outer box** 10

**Material number (12NC)** 929003078802

**Full product name** MAS LED ExpertColor 6.7-35W MR16 927 10D

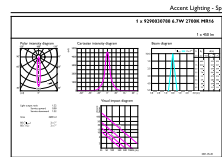
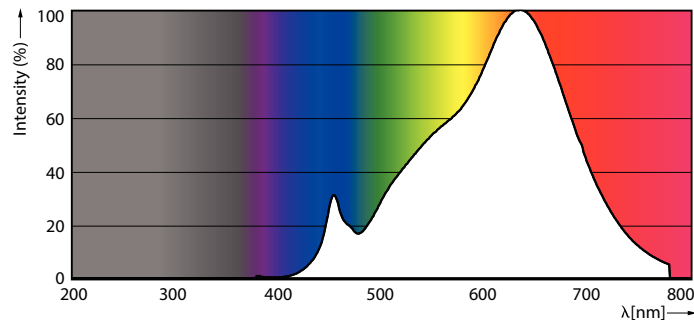
**EAN/UPC - Case** 8719514358485

## Dimensional drawing



Product	D	C
MAS LED ExpertColor 6.7-35W MR16 927 10D	50.5 mm	46 mm

## Photometric data

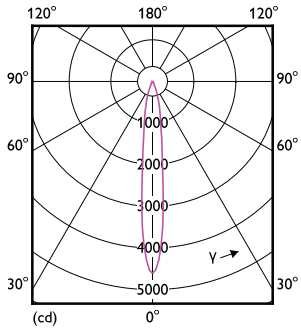


Spectral Power Distribution Colour - MAS LED ExpertColor 6.7-35W MR16 927 10D

Accent Lighting Spots - MAS LED ExpertColor 6.7-35W MR16 927 10D

# MASTER LEDspot ExpertColor LV

## Photometric data



Light Distribution Diagram - MAS LED ExpertColor 6.7-35W MR16 927 10D

## Lifetime



Life Expectancy Diagram - MAS LED ExpertColor 6.7-35W MR16 927 10D



Lumen Maintenance Diagram - MAS LED ExpertColor 6.7-35W MR16 927 10D

