



MASTER LEDspot ExpertColor LV



MAS LED ExpertColor 6.7-35W MR16 930 60D

MASTER LEDspot LV ExpertColor creates a warm and comfortable ambience for hospitality venues, homes and restaurants. It creates such an ambience with superior lighting that has a customized spectrum, high CRI, and deep dimming feature. The result? A beautiful lighting experience. What's more, the innovative, trimless lens design will suit almost any interior decor with its clean and neat look. In addition, you can take advantage of the full ExpertColor family, which also includes LEDspot MV and LEDspot Par lamps.

Product data

General Information	
Lighting Technology	LED
Flux measurement reference	Narrow Cone
Switching Cycle	50,000
Nominal lifetime	40,000 hour(s)
Cap-Base	GU5.3 [GU5.3]
Light Technical	
Color Code	930 [CCT of 3000K]
Beam Angle (Nom)	60 degree(s)
Luminous Flux	440 lumen
Luminous Intensity (Nom)	440 cd
Color Designation	White (WH)
Correlated Color Temperature (Nom)	3000 K
Luminous Efficacy (rated) (Nom)	65.00 lm/W
Color Consistency	<3
Color rendering index (CRI)	97
LLMF At End Of Nominal Lifetime (Nom)	70 %

Luminous Flux in 90° Cone (Rated)	440 lumen
Operating and Electrical	
Line Frequency	- Hz
Input Frequency	- Hz
Power Consumption	6.7 W
Lamp Current (Nom)	650 mA
Wattage Equivalent	35 W
Starting Time (Nom)	0.5 s
Warm-up time to 60% light	0.5 s
Power Factor (Fraction)	0.7
Voltage (Nom)	ac electronic 12 V
Temperature	
T-Case Maximum (Nom)	92 °C

MASTER LEDspot ExpertColor LV

Controls and Dimming

Dimmable	Only with specific dimmers
----------	----------------------------

Mechanical and Housing

Bulb Shape	MR16 [2inch/50mm]
------------	-------------------

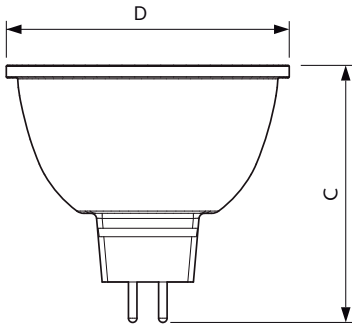
Approval and Application

Energy Efficiency Class	G
Suitable For Accent Lighting	Yes
Energy Consumption kWh/1000 h	7 kWh
EPREL Registration Number	624216
CE mark	Yes
EU RoHS compliant	Yes

Product Data

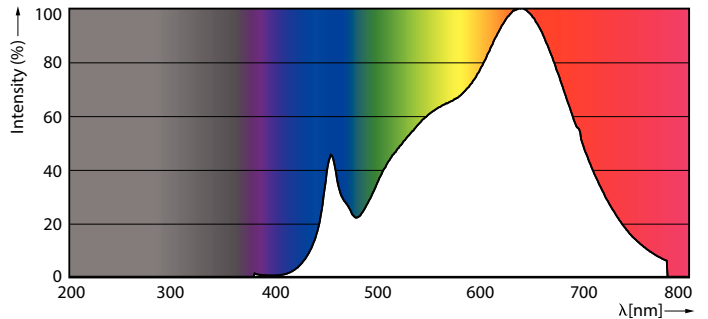
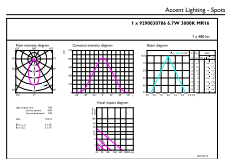
Full product code	871951435843000
Order product name	MAS LED ExpertColor 6.7-35W MR16 930 60D
Order code	929003078602
Numerator - Quantity Per Pack	1
Numerator - Packs per outer box	10
Material number (12NC)	929003078602
Full product name	MAS LED ExpertColor 6.7-35W MR16 930 60D
EAN/UPC - Case	8719514358447

Dimensional drawing



Product	D	C
MAS LED ExpertColor 6.7-35W MR16 930 60D	50.5 mm	46 mm

Photometric data

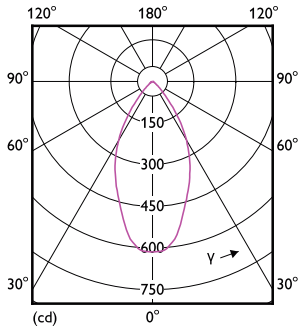


Accent Lighting Spots - MAS LED ExpertColor 6.7-35W MR16 930 60D

Spectral Power Distribution Colour - MAS LED ExpertColor 6.7-35W MR16 930 60D

MASTER LEDspot ExpertColor LV

Photometric data



Light Distribution Diagram - MAS LED ExpertColor 6.7-35W MR16 930 60D

Lifetime



Life Expectancy Diagram - MAS LED ExpertColor 6.7-35W MR16 930 60D



Lumen Maintenance Diagram - MAS LED ExpertColor 6.7-35W MR16 930 60D

