



# MASTERColour CDM-Rm Elite Mini



## CDM-Rm Elite Mini 20W/830 GX10 MR16 25D

Mini, very high-efficiency Ceramic Metal Halide discharge reflector lamp producing crisp white sparkling light with high color rendering

### Warnings and Safety

- Use only with electronic control gear
- Control gear must include end-of-life protection (IEC61167, IEC 62035).
- A lamp breaking is extremely unlikely to have any impact on your health. If a lamp breaks, ventilate the room for 30 minutes and remove the parts, preferably with gloves. Put them in a sealed plastic bag and take it to your local waste facilities for recycling. Do not use a vacuum cleaner.

### Product data

| General Information                |                                  | Color rendering index (CRI)           |                   | 84 |
|------------------------------------|----------------------------------|---------------------------------------|-------------------|----|
| Cap-Base                           | GX10 [GX10]                      | LLMF At End Of Nominal Lifetime (Nom) | 70 %              |    |
| Operating Position                 | UNIVERSAL [Any or Universal (U)] | Luminous Flux in 90° Cone (Rated)     | 900 lumen         |    |
| Switching Cycle                    | 1,350                            | <b>Operating and Electrical</b>       |                   |    |
| Flux measurement reference         | Narrow Cone                      | Power Consumption                     | 20.1 W            |    |
| Life to 50% Failures (Nom)         | 15,000 hour(s)                   | Warm-up time to 60% light             | 120 s             |    |
| <b>Light Technical</b>             |                                  | Voltage (Nom)                         | 95 V              |    |
| Color Code                         | 830 [CCT of 3000K]               | Voltage (Nom)                         | 95 V              |    |
| Beam Angle (Nom)                   | 25 degree(s)                     | <b>Controls and Dimming</b>           |                   |    |
| Luminous Flux                      | 900 lumen                        | Dimmable                              | No                |    |
| Luminous Intensity (Nom)           | 4,000 cd                         | <b>Mechanical and Housing</b>         |                   |    |
| Chromaticity Coordinate X (Nom)    | 0.434                            | Bulb Shape                            | MR16 [2inch/50mm] |    |
| Chromaticity Coordinate Y (Nom)    | 0.398                            |                                       |                   |    |
| Correlated Color Temperature (Nom) | 3000 K                           |                                       |                   |    |
| Luminous Efficacy (rated) (Nom)    | 50 lm/W                          |                                       |                   |    |

# MASTERCLOUR CDM-Rm Elite Mini

## Approval and Application

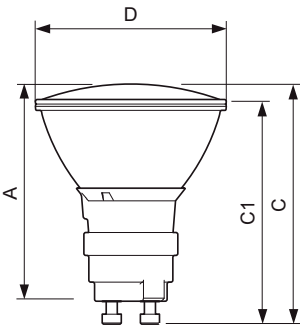
|                               |        |
|-------------------------------|--------|
| Energy Efficiency Class       | G      |
| Mercury (Hg) Content (Max)    | 3.5 mg |
| Mercury (Hg) Content (Nom)    | 3.5 mg |
| Energy Consumption kWh/1000 h | 21 kWh |
| EPREL Registration Number     | 473267 |

## Product Data

|                   |                 |
|-------------------|-----------------|
| Full product code | 871829120301800 |
|-------------------|-----------------|

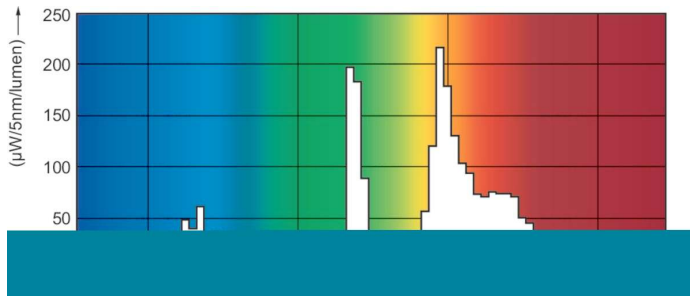
|                                 |   |
|---------------------------------|---|
| Order product name              | CDM-Rm Elite Mini 20W/830 GX10 MR16 25D |
| Order code                      | 928191105331                            |
| Numerator - Quantity Per Pack   | 1                                       |
| Numerator - Packs per outer box | 12                                      |
| Material Nr. (12NC)             | 928191105331                            |
| Full product name               | CDM-Rm Elite Mini 20W/830 GX10 MR16 25D |
| EAN/UPC - Case                  | 8718291203025                           |

## Dimensional drawing

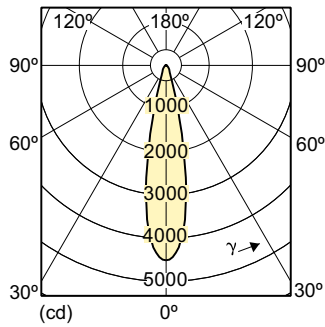


| Product                                 | D (max) | D     | C (max) | C        | C1 (max) | A (max) |
|---|---------|-------|---------|----------|----------|---------|
| CDM-Rm Elite Mini 20W/830 GX10 MR16 25D | 51 mm   | 50 mm | 65.4 mm | 62.75 mm | 60.9 mm  | 59 mm   |

## Photometric data



Spectral Power Distribution Colour - CDM-Rm Elite Mini 20W/830 GX10 MR16 25D



Light Distribution Diagram - CDM-Rm Elite Mini 20W/830 GX10 MR16 25D

# MASTERCcolour CDM-Rm Elite Mini

## Lifetime



Life Expectancy Diagram - CDM-Rm Elite Mini 20W/830 GX10 MR16 25D

Lumen Maintenance Diagram - CDM-Rm Elite Mini 20W/830 GX10 MR16 25D

