

Edition: 04/06 - subject to change
Supersedes: /
Status: valid

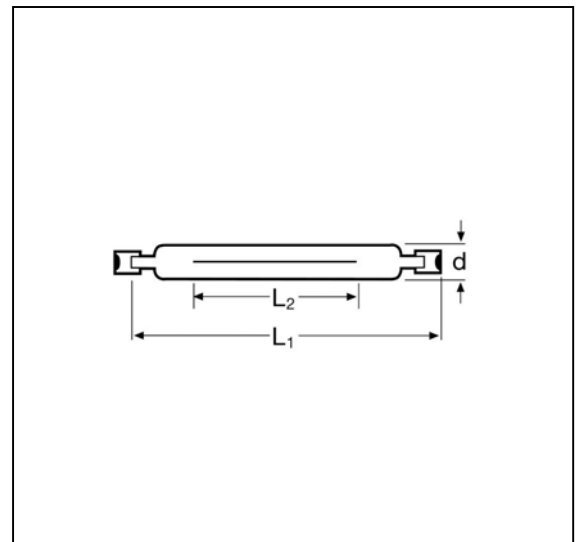
64781(230/240V)

■ Product description

The OSRAM 64781 is often used in open face luminaries for studio and film production.

■ Technical Data

Lamp / order reference		64781
ANSI		FEX
LIF		P2/27
Rated lamp wattage	W	2000
Rated lamp voltage	V	230/240
Average life-time	h	300
Color temperature	K	3200
Luminous flux	lm	50000
Base		RX7s
Diameter d	mm	30 max.
Lamp length L ₁	mm	138.1
Length of coil L ₂	mm	38
Type of coil		CC-8



■ Lamp operation

Max. pinch seal temperature	°C	350
Burning position		p15