

Edition: 09/04 - subject to change

Substitutes: 11/90
Status: valid

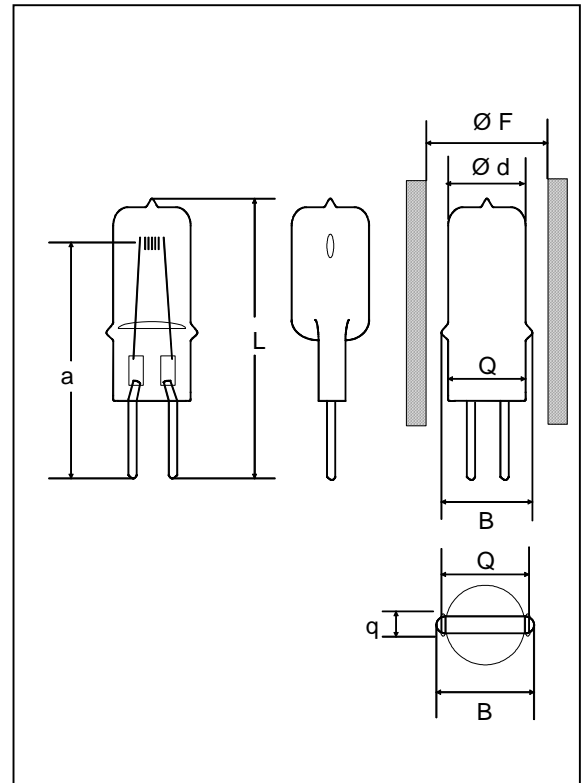
HLX 64642

■ Product description

The Osram HLX 64642 is a Tungsten Halogen Low Voltage Lamp for projection.

■ Technical data

Order reference	HLX 64642	
ANSI	FDV	
LIF	M/184	
Rated lamp wattage	W	150
Rated lamp voltage	V	24
Average service life	h	300
Colour temperature	K	ca. 3450
Luminous flux	lm	5000
Luminous efficiency	lm/W	31.8
Base	G6.35	
Bulb diameter d	mm	11.5 ¹
Lamp length L	mm	50 max.
LCL a	mm	31.5 min – 32 max.
Pinch Width B	15 max.	
Q	14 max.	
q	5.5 max.	
Filament dimensions (w x h)	mm	ca. 6.1 x 3.2
Type of filament	CBar - 6	
Deviation of filament center from base axis not more than:	1.0 mm	



¹ Change of bulb diameter from 13.5 to 11.5 mm max. on 23.06.2004 without consequences for light data.

■ Lamp operation

Maximum permissible pinch temperature	°C	350
Burning position	s90	
Required fuse protection	10 A quick-acting in the secondary circuit	
Further	F denotes minimum free space required due to the size of the lamp. In practice a greater free space may be necessary to get heat emission under control. (min. 16 mm)	