

# Technical Information

No. DO 5122

Edition: 07/11 - subject to change

Supersedes 11/05

Status: valid

Tungsten Halogen Lamp  
for Airfield Lighting

# 64354

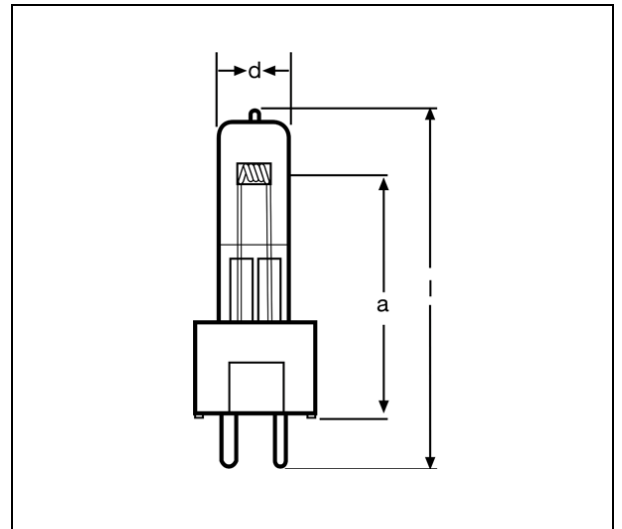
## ■ Product description

The OSRAM 64354 is a single-ended lamp for the following applications:

Approach, touchdown zone, threshold, runway and taxiway lights

## ■ Technical data

Order reference		64354
ANSI		EWR
Maximum operation current	A	6.6
Rated lamp wattage	W	150
Base		GY9.5
Average life	h	1500
Rated luminous flux	lm	4000
Bulb diameter d	mm	13
Height l	mm	65
LCL a	mm	39.1 ± 0.5
Filament width	mm	approx. 5.5
Filament height	mm	approx. 4.4
Maximum initial wattage	W	162
Minimum initial luminous flux	lm	3480
Luminous flux after 750 h	lm	min. 75% of initial value
Filament type		CBar-6
Colour Temperatur	K	3100



## ■ Lamp operation

Burning position		s 90
Maximum pinch temperature	°C	350
Maximum ambient temperature	°C	200
Chromaticity		within white boundaries as defined in Annex 14 to the Convention of International Civil Aviation