

# Technical Information

No. DO 4728

Edition: 07/08 - subject to change

Supersedes 12/05

Status: valid

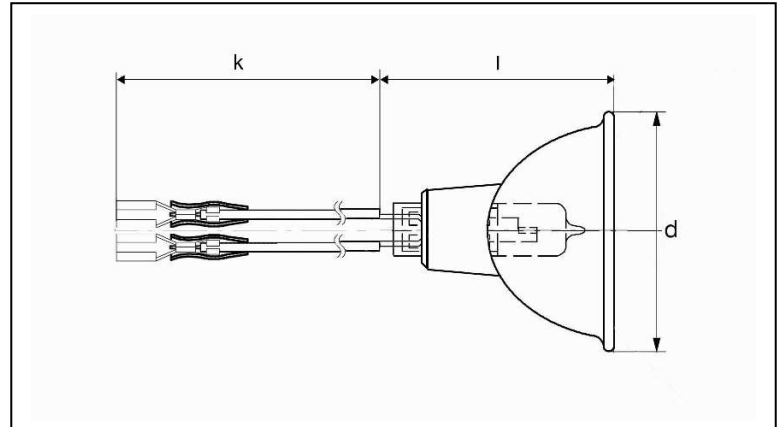
Tungsten Halogen Lamp  
for Airfield Lighting

# 64339 A/AC/B/C




## ■ Product description

The 64339 A/AC/B/C is a tungsten halogen Lamp for the following applications:

Approach, runway and taxiway edge, threshold, touchdown zone, runway end, taxiway centre line and stopbar lights.



## ■ Technical data

Order reference		64339 A/AC/B/C 105-10
Maximum operation current	A	6.6
Connector	 A	female flat <sup>1</sup>
	 B	female round <sup>2</sup>
	 C	male <sup>3</sup>
Rated lamp wattage	W	105
Maximum initial wattage	W	115.5
Average life	h	1,000
Color temperature	K	3,300
Axial luminous intensity	cd	32,000
Minimum axial luminous intensity	cd	30,000
Axial luminous intensity after 750 h	cd	min. 75% of initial value
Reflector type		MR 16 parabolic reflector with durable dichroic coating
Reflector diameter (d)	mm	max. 50.4
Length (l)	mm	max. 48.0
Cable length (k)	mm	min. 125

## ■ Lamp operation

Burning position		horizontal
Maximum allowed pinch temperature	°C	350
Chromaticity		within white boundaries as defined in Annex 14 to the Convention of International Civil Aviation

<sup>1</sup> Female connector A complies with DIN 46247

<sup>2</sup> Female round connector B for Ø 4 mm pin

<sup>3</sup> Male connector C complies with DIN 46248