

Technical Information

No. DO 4499

Edition: 07/08 - subject to change

Supersedes: 04/00

Status: valid

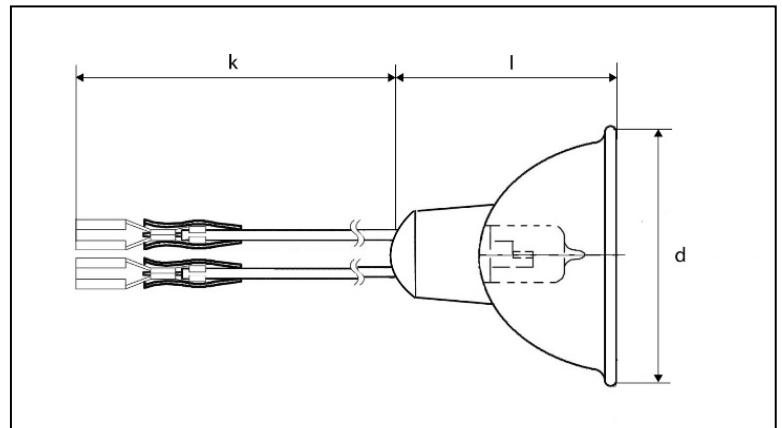
Tungsten Halogen Lamp
for Airfield Lighting

64337 A or B 45-15



■ Product description

The OSRAM 64337 A or B 45-15 is a tungsten halogen lamp for the following applications:

Touchdown zone, runway and taxiway centre line, taxiway edge, runway end lights and stopbar.



■ Technical data

| | | |
|---------------------------------------|---|---|
| Order reference | | 64337 A or B 45-15 |
| Maximum operation current | A | 6.6 |
| Connector |  A | female flat ¹ |
| |  B | female round ² |
| Rated lamp wattage | W | 45 |
| Maximum initial wattage | W | 48.6 |
| Average life | h | 1,500 |
| Color temperature | K | 3,200 |
| Axial luminous intensity | cd | 21,000 |
| Minimum axial luminous intensity | cd | 19,000 |
| Axial luminous intensity after 1125 h | cd | min. 75% of initial value |
| Reflector type | | MR 16 parabolic reflector with durable dichroic coating |
| Reflector diameter (d) | mm | max. 50.4 |
| Length (l) | mm | max. 45.0 |
| Cable length (k) | mm | min. 125 |

■ Lamp operation

| | | |
|---------------------------|----|--|
| Burning position | | horizontal |
| Maximum pinch temperature | °C | 350 |
| Chromaticity | | within white boundaries as defined in Annex 14 to the Convention of International Civil Aviation |

¹ Female connector A complies with DIN 46247

² Female round connector B for \varnothing 4 mm pin