

# Technical Information

No. DO 5483

Edition: 07/08 - subject to change

Supersedes 10/06

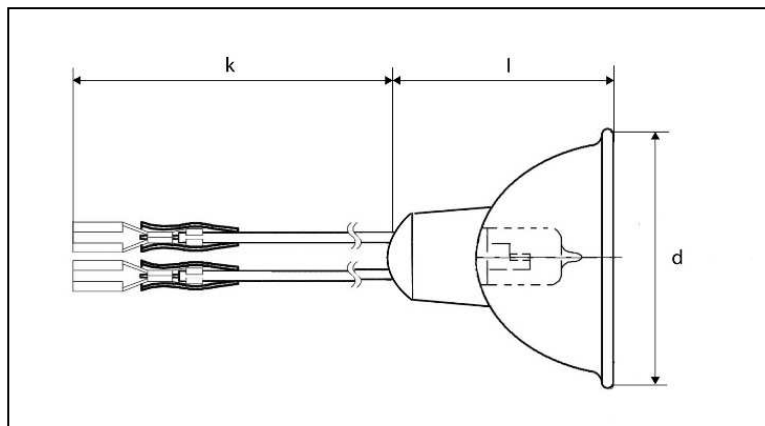
Status: valid

Tungsten Halogen Lamp  
for Airfield Lighting


# 64336 A

## ■ Product description

The OSRAM 64336 A is a tungsten halogen lamp for threshold and runway end lights.



## ■ Technical data

|                                       |   |   |
|---------------------------------------|---|---|
| Order reference                       |   | 64336 A 62-15   |
| Maximum operation current             | A   | 6.6   |
| Connector                             |  A | female <sup>1</sup>                                     |
| Rated lamp wattage                    | W   | 62  |
| Maximum initial wattage               | W   | 65  |
| Average life                          | h   | 1,500   |
| Color temperature                     | K   | 3,250   |
| Axial luminous intensity              | cd  | 31,500  |
| Minimum axial luminous intensity      | cd  | 28,000  |
| Axial luminous intensity after 1125 h | cd  | min. 75% of initial value                               |
| Reflector type                        |   | MR 16 parabolic reflector with durable dichroic coating |
| Reflector diameter (d)                | mm  | max. 50.4   |
| Length (l)                            | mm  | max. 45.0   |
| Cable length (k)                      | mm  | min. 125  |

## ■ Lamp operation

|                           |    |  |
|---------------------------|----|--|
| Burning position          |    | horizontal   |
| Maximum pinch temperature | °C | 350  |
| Chromaticity              |    | within white boundaries as defined in Annex 14 to the Convention of International Civil Aviation |

<sup>1</sup> Female connector A complies with DIN 46247