

## Technical Information

No. DO 4695

Edition: 05/09 - subject to change

Supersedes 08/08

Status: valid

Tungsten Halogen Lamp  
for Airfield Lighting



# 64328 HLX A or Z (C)

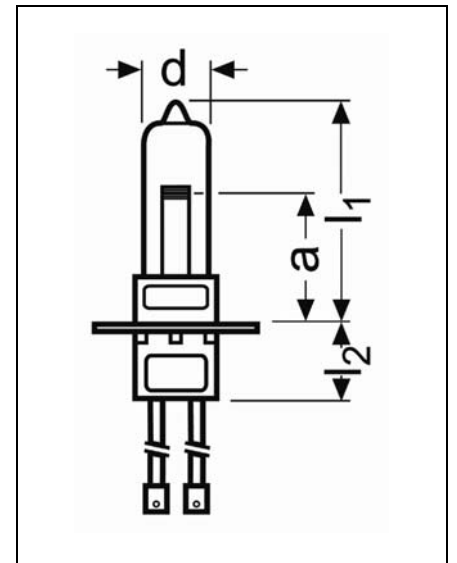
### ■ Product description

The OSRAM 64328 HLX A or Z (C) is a tungsten halogen lamp with PK30d base for the following applications:

Taxiway centre line, stopbar, runway edge and taxiway edge lighting.

### ■ Technical data

Order reference	64328 HLX A or Z (C) 65-15	
Maximum operation current	A	6.6
Base	PK30d	
Connector	 A	female <sup>1</sup>
	 Z (C)	male <sup>2</sup>
Cable length (k)	mm	min. 125
Rated lamp wattage	W	65
Maximum initial wattage	W	70.2
Average life	h	1,500
Color temperature	K	3,050
Rated luminous flux	lm	1,450
Minimum initial luminous flux	lm	1,330
Luminous flux after 750 h	lm	min. 95% of initial value
Bulb diameter (d)	mm	max. 13,5
Length (l <sub>1</sub> )	mm	max. 32
Length (l <sub>2</sub> )	mm	max. 16
LCL (a)	mm	20.0
Filament type	CBar-6	
Filament dimensions (w x h)	mm	3.2 x 3.2
Deviation of filament centre	mm	max. 1.0 (refers to base axis)



### ■ Lamp operation

Burning position	s 90	
Maximum pinch temperature	°C	350
Chromaticity	within white boundaries as defined in Annex 14 to the Convention of International Civil Aviation	

<sup>1</sup> Female connector A complies with DIN 46247

<sup>2</sup> Male connector Z (C) complies with DIN 46248