

Technical Information

No. DO 4229

Edition: 05/09 - subject to change

Supersedes 08/08

Status: valid

Tungsten Halogen Lamp
for Airfield Lighting


64317 C

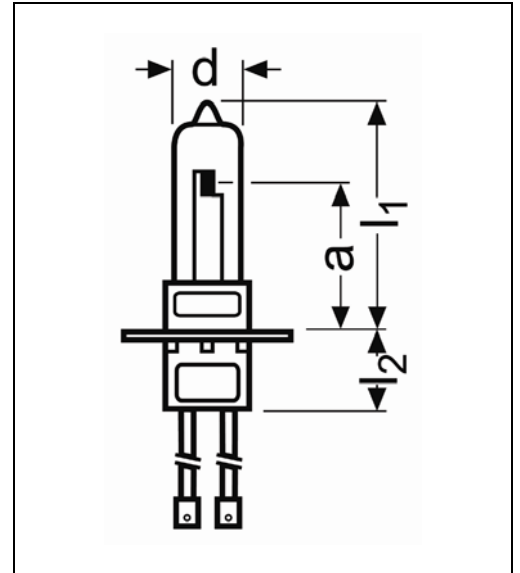
■ Product description

The OSRAM 64317 C is a tungsten halogen lamp comparable to the OSRAM 64319 Z/C but with 16.0 mm instead of 20.0 mm LCL for the following applications:

Taxiway centre line, stopbar, runway edge, taxiway edge, runway end, threshold and approach lighting.

■ Technical data

Order reference	64317 C 45-15	
LIF	J1/76	
Maximum operation current	A	6.6
Base	PK30d	
Connector	 C	male ¹
Cable length	mm	min. 125
Rated lamp wattage	W	45
Maximum initial wattage	W	51.5
Average life	h	1,500
Color temperature	K	3,000
Rated luminous flux	lm	800
Minimum initial luminous flux	lm	730
Luminous flux after 750 h	lm	min. 98% of initial value
Bulb diameter (d)	mm	max. 13.5
Length (l ₁)	mm	max. 36
Length (l ₂)	mm	max. 20
LCL (a)	mm	16.0
Filament type	C-8	
Filament dimensions (w x h)	mm	1.4 x 3.4
Deviation of filament centre	mm	max. 1.0 (refers to base axis)



■ Lamp operation

Burning position	s90	
Maximum pinch temperature	°C	350
Chromaticity	within white boundaries as defined in Annex 14 to the Convention of International Civil Aviation	

¹ Male connector C complies with DIN 46248