

Technical Information

No. DO 4325

Edition: 07/08 - subject to change

Supersedes: 01/07

Status: valid

Tungsten Halogen Lamp
for Airfield Lighting

64311

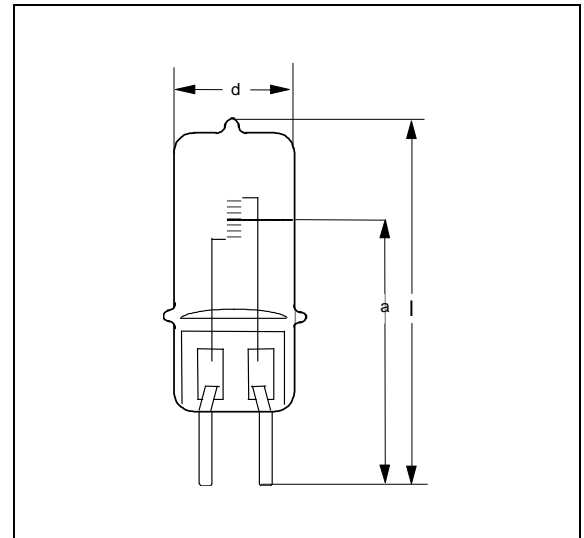
■ Product description

The OSRAM 64311 is a halogen Bi-Pin lamp with G6.35 base for the following applications:

Approach, runway edge, threshold, touchdown zone, runway and taxiway lights

■ Technical Data

Order reference		64311
LIF		J1/59
Maximum operation current	A	6.0
Base		G6.35
Rated lamp wattage	W	36
Maximum initial wattage	W	38.9
Average life	h	1,500
Color temperature	K	3,050
Rated luminous flux	lm	600
Minimum initial luminous flux	lm	540
Luminous flux after 900 h	lm	min. 95% of initial value
Bulb diameter (d)	mm	max. 11.5
Length (l)	mm	max. 47
LCL (a)	mm	33
Filament type		C-8
Filament dimensions (w x h)	mm	1.2 x 3.3
Deviation of filament centre	mm	max. 1.2 (refers to base axis)



■ Lamp operation

Burning position		S 90
Maximum pinch temperature	°C	350
Chromaticity		within white boundaries as defined in Annex 14 to the Convention of International Civil Aviation