

Technical Information

No. DO 5116

Edition: 12/08 - subject to change

Supersedes 12/05

Status: valid

Tungsten Halogen Lamp
for Airfield Lighting

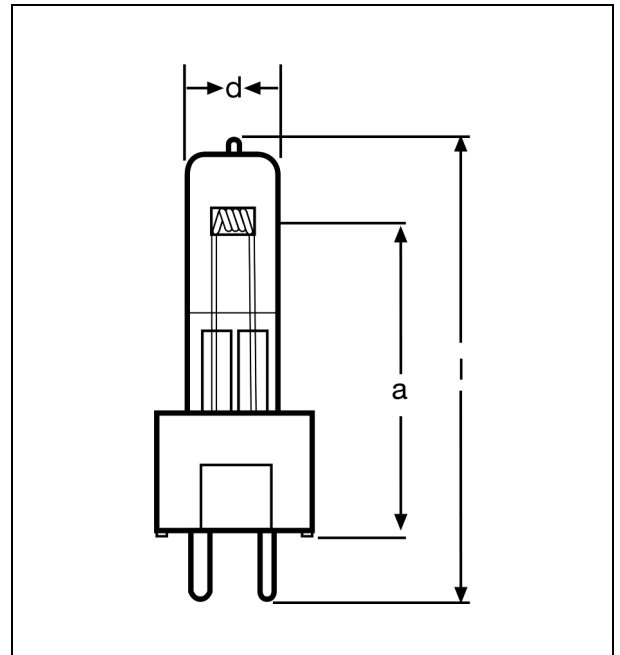
58750

■ Product description

- The OSRAM 58750 is a current controlled tungsten halogen lamp for airfield lighting.
- Series operation with max. 6.6 A
- with (GZ)GY9.5 socket

■ Technical data

Order reference		58750
ANSI		EZL
Maximum operation current	A	6.6
Base		(GZ) GY9.5
Rated lamp wattage	W	200
Maximum initial wattage	W	216
Average life	h	1,300
Colour Temperatur	K	3,100
Rated luminous flux	lm	5,200
Minimum initial luminous flux	lm	4,600
Luminous flux after 750 h	lm	min. 90% of initial value
Bulb diameter (d)	mm	max. 13.5
Length (l)	mm	max. 65
LCL (a)	mm	39.1
Filament type		CC-6
Filament dimensions (wxh)	mm	6.5x4.8
Deviation of filament centre	mm	max. 1.0 (refers to base axis)



■ Lamp operation

Burning position		any
Maximum pinch temperature	°C	350
Chromaticity		within white boundaries as defined in Annex 14 to the Convention of International Civil Aviation