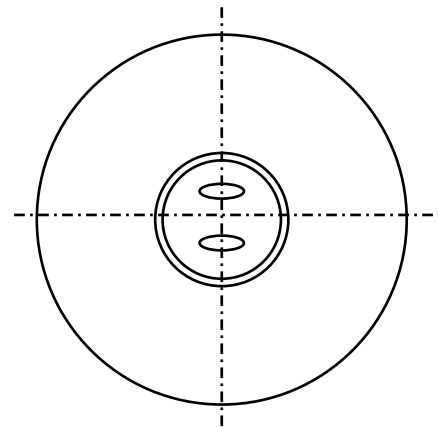
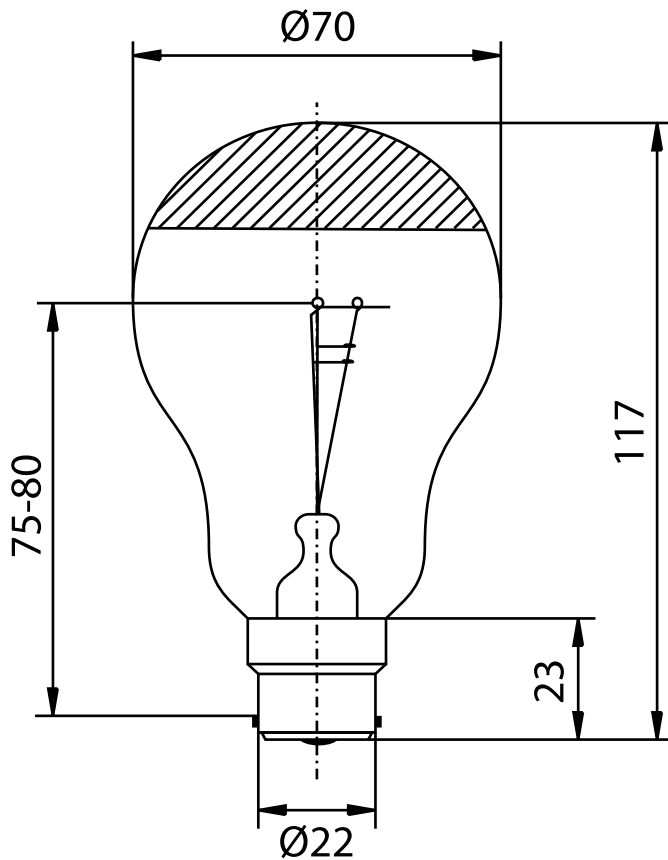


INDUSTRIAL SPECIALTY LIGHTING

Industrial medical - Datasheet



MEDICAL LAMPS - 24V 50 / 50W BA22D DR. FISCHER 88-914-02

PRODUCT NUMBER	302936033	[]	Tol.
VOLTAGE	24	V	
WATTAGE	50 / 50	W	
LUMEN OUTPUT	1400	LM	
LUMEN PRO WATT	14	LM/W	
AVERAGE LIFE	300	H	
BASE	BA22D	/	
REMARKS	88-914-02		
BRAND	DR. FISCHER		



MEDICAL



ENTERTAINMENT



TRAFFIC



MARINE



RAILWAY



AIRFIELD



VARIOUS



TAILOR MADE



IR / UV



PROJECTION