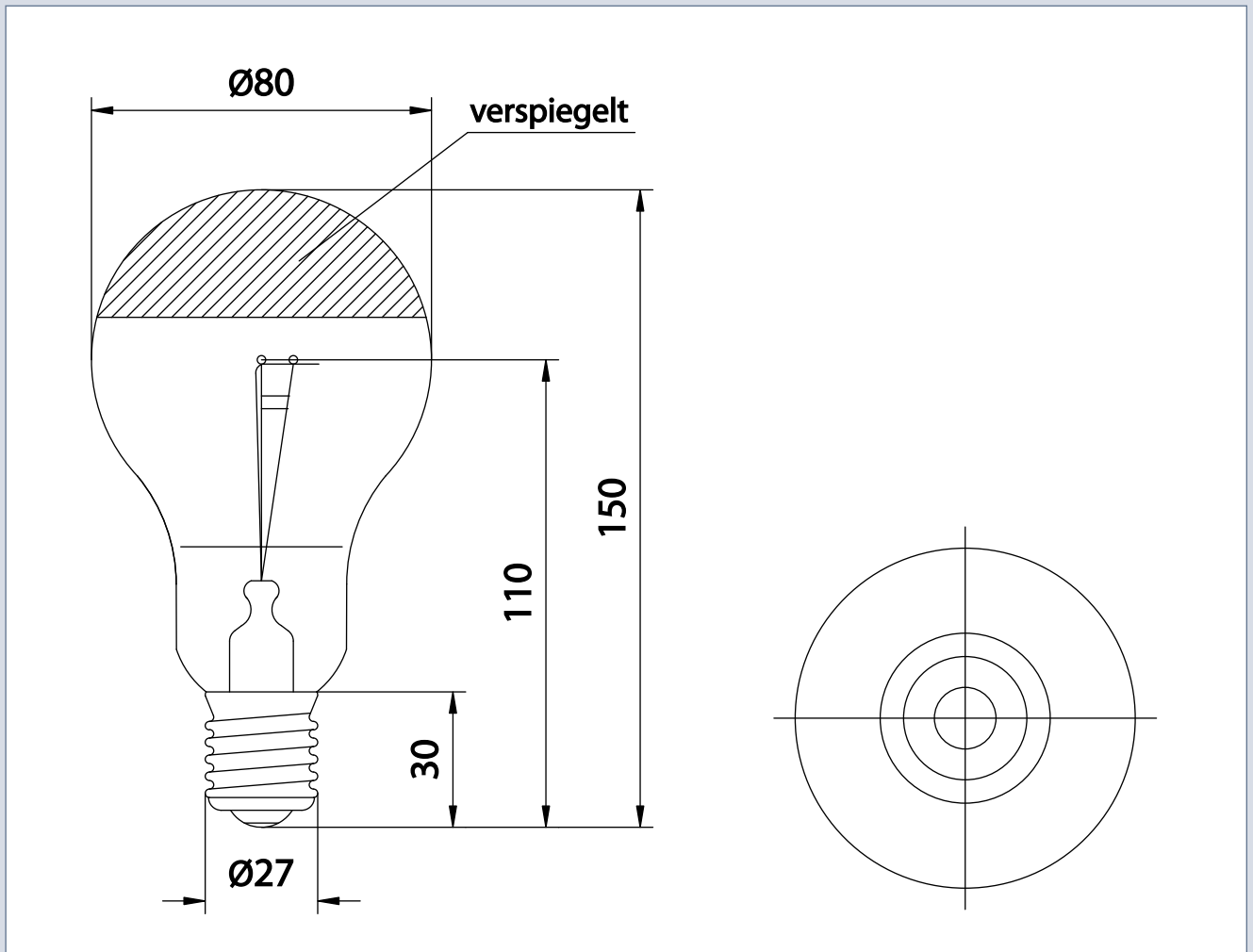


# INDUSTRIAL SPECIALTY LIGHTING

## Industrial medical - Datasheet



### MEDICAL LAMPS - 24V 75 / 75W E27

#### DR. FISCHER 88-912-02

PRODUCT NUMBER **302936026** []

Tol.

VOLTAGE	24	V	
WATTAGE	75 / 75	W	±10
LUMEN OUTPUT	1700	LM	±10
LUMEN PRO WATT	22.7	LM/W	
AVERAGE LIFE	100	H	
BASE	E27	/	
REMARKS	88-912-02		
BRAND	DR. FISCHER		



MEDICAL



ENTERTAINMENT



TRAFFIC



MARINE



RAILWAY



AIRFIELD



VARIOUS



TAILOR MADE



IR / UV



PROJECTION